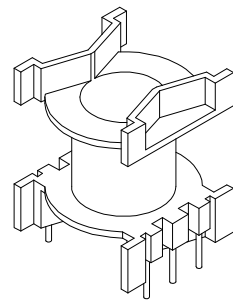
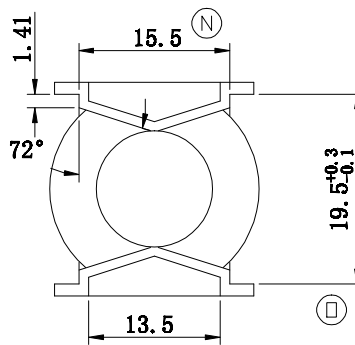
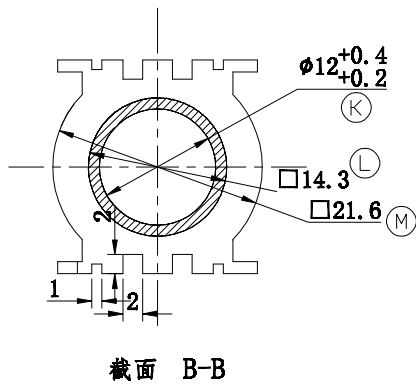
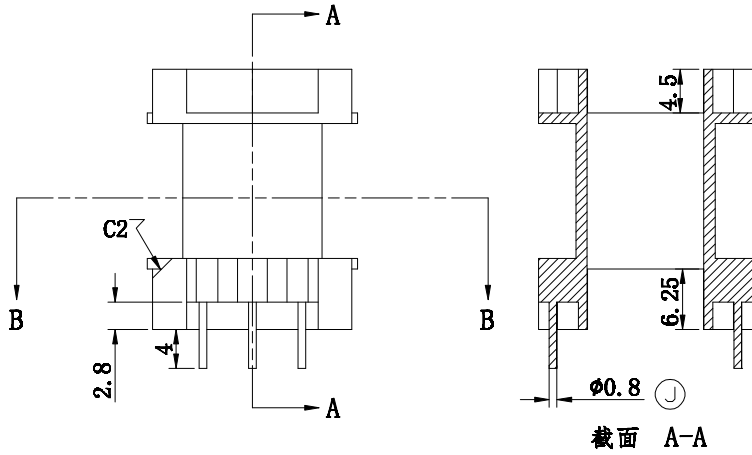
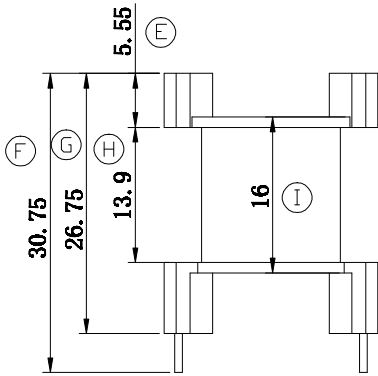
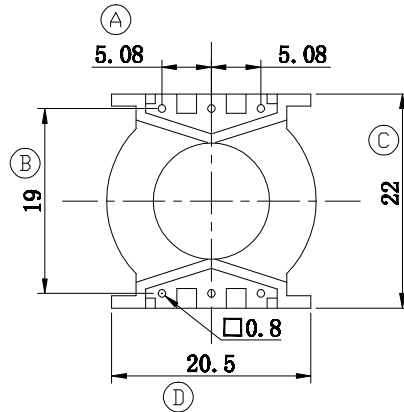
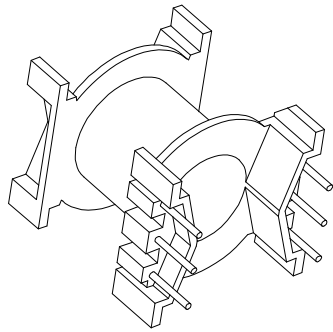


ZX-26Q



REV.	REVISIONS	REC.	DATE	REV.	REVISIONS	REC.	DATE
1				4			
2				5			
3				6			
DRAWN & DRAFTED BY	LIU WEI QIANG	TOLERANCES	ANGLE:	TITLE: PQ-2625(3+3P)			
CHECKED & APPROVED BY	MA BU JIAN	$0 < L < 4 \pm 0.1$ $4 < L < 16 \pm 0.2$ $16 < L < 63 \pm 0.3$	$\pm 1^\circ$ UNIT: MM	BOBBIN MATERIAL:	PHENOLIC	UL REC.	UL 94V-0
智信电子塑胶有限公司 ZHI XIN ELECTRONICS PLASTIC CO LTD TEL:0769-86389901-2 FAX:0769-86389903			SCALE:	PIN MATERIAL:	CP WIRE	PIN TENSION LOAD:	1.2kg MIN.
				DATE:	2015.11.27	DRAWING NO.	ZX-26Q
						REV.	A01