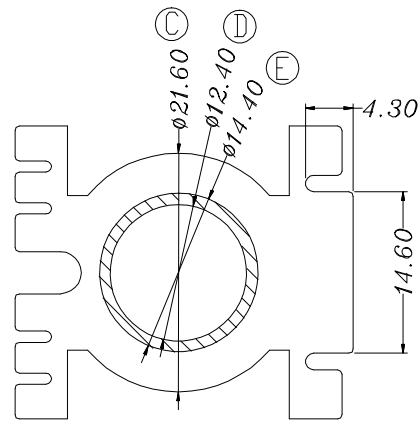
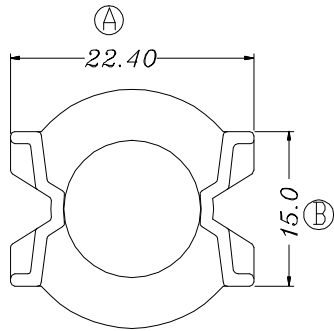
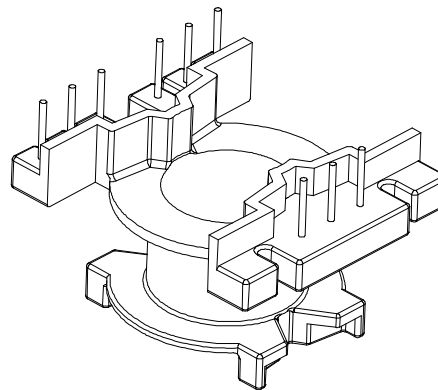
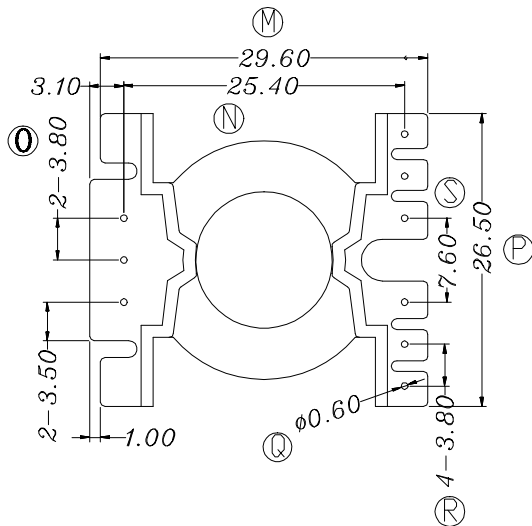
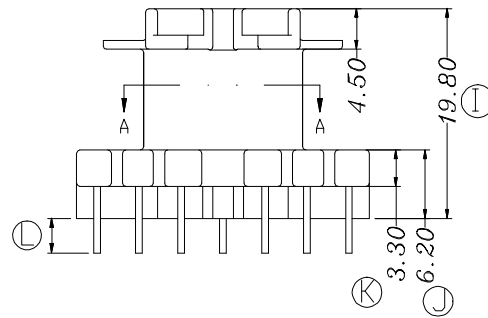
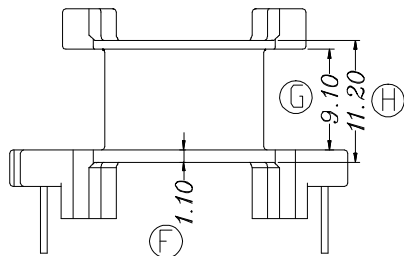


ZX-26R



SECTION A-A



REV.	REVISIONS REC.		DATE	REV.	REVISIONS REC.		DATE
1				4			
2				5			
3				6			
DRAWN & DRAFTED BY		LIU WEI QIANG		TOLERANCES		ANGLE: $\pm 1^\circ$	
CHECKED & APPROVED BY		ZHANG YONG		0 < L ≤ 4 ±0.1		TITLE: PQ-2620(3+6P)	
				4 < L ≤ 16 ±0.2		BOBBIN MATERIAL: PHENOLIC	
				16 < L ≤ 63 ±0.3		UL REC. UL 94V-0	
				pin pitch ±0.2		PIN MATERIAL: CP WIRE	
				UNIT: MM		PIN TENSION LOAD: 1.0KG MIN	
				SCALE:		DATE: 2018.12.08	
				DRAWING NO. ZX-26R		REV. A01	



智信电子塑胶有限公司
ZHI XIN ELECTRONICS PLASTIC CO., LTD.
 TEL: 0769-86389901-2 FAX: 0769-86389903

