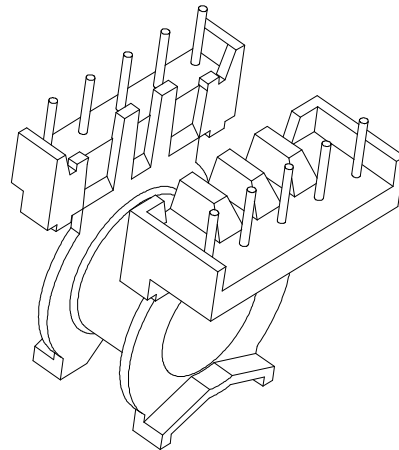
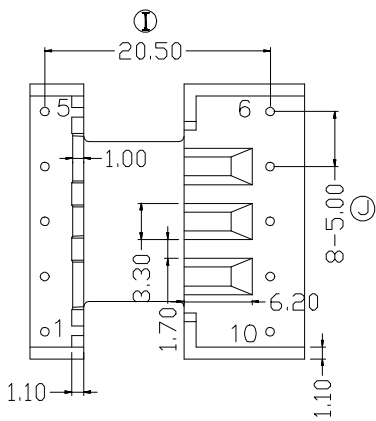
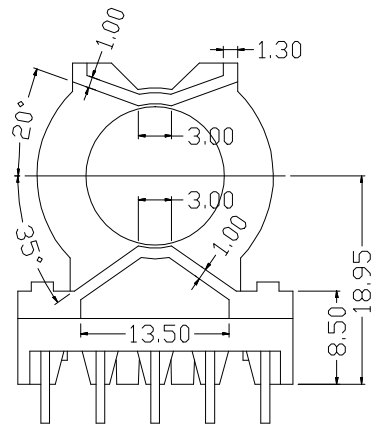
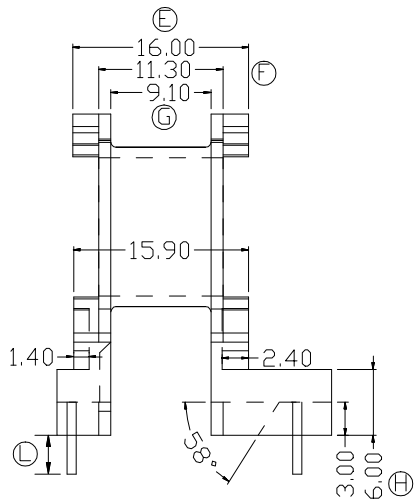
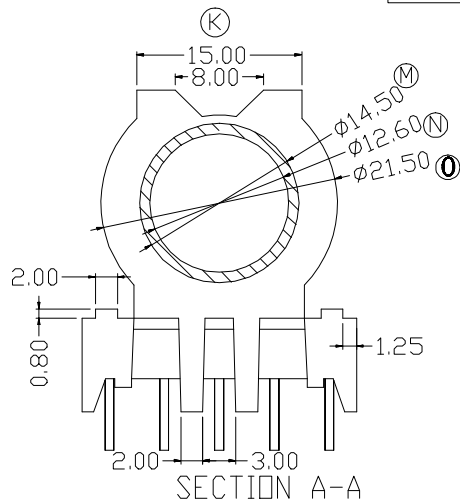
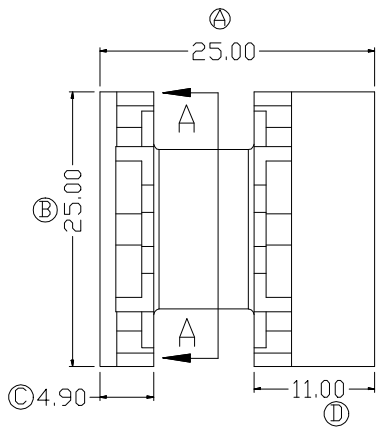


ZX-26S



REV.	REVISIONS	REC.	DATE	REV.	REVISIONS	REC.	DATE
1				4			
2				5			
3				6			
DRAWN & DRAFTED BY	LIU WEI QIANG		TOLERANCES		ANGLE:	TITLE: PQ-2620(5+5P)	
CHECKED & APPROVED BY	ZHANG YONG		0<L≤4 ±0.1	pin pitch	±1°	BOBBIN MATERIAL: PM-9820	
			4<L≤16 ±0.2	±0.2	UNIT:	UL REC.	UL 94V-0
			16<L≤63 ±0.3		MM	PIN MATERIAL: CP WIRE	
					SCALE:	PIN TENSION LOAD: 1.5KG MIN	
<b>智信电子塑胶有限公司</b> ZHI XIN ELECTRONICS PLASTIC CO., LTD. TEL:0769-86389901-2 FAX:0769-86389903					DATE: 2018.12.08	DRAWING NO. ZX-26S	REV. A01