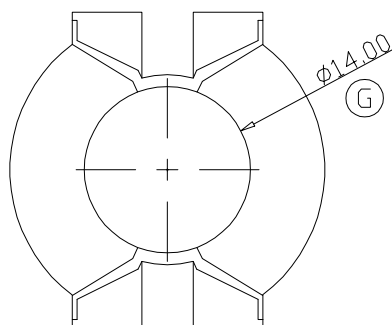
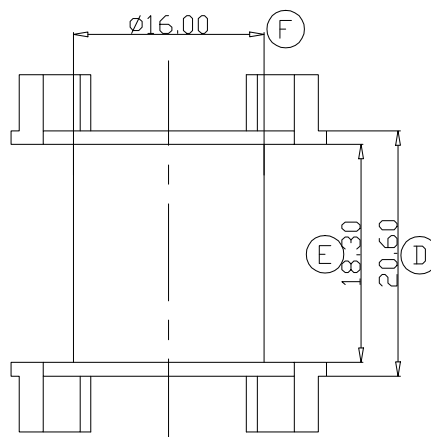
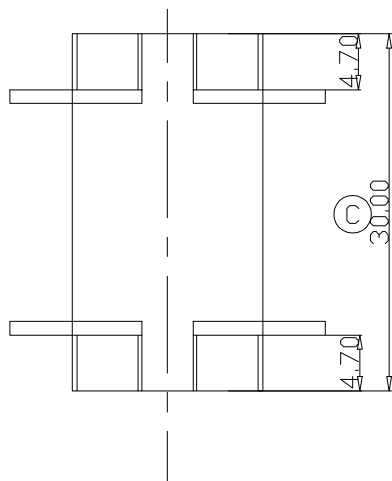
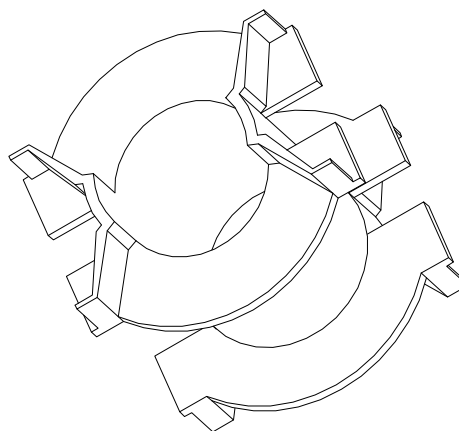
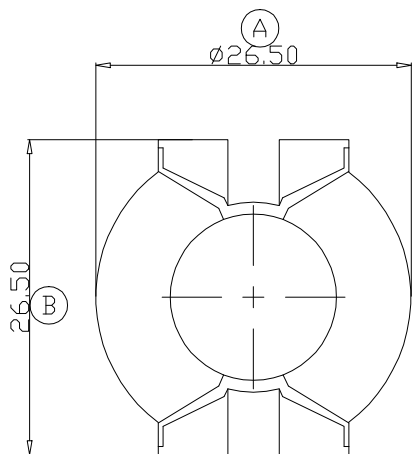


ZX-32A



REV.	REVISIONS	REC.	DATE	REV.	REVISIONS	REC.	DATE
1				4			
2				5			
3				6			

DRAWN & DRAFTED BY	LIU WEI QIANG	TOLERANCES	ANGLE: ±1°	TITLE: PQ-3230			
	CHECKED & APPROVED BY			MA BU JIAN	0 < L ≤ 4 ±0.1	4 < L ≤ 16 ±0.2	pin pitch ±0.2
		16 < L ≤ 63 ±0.3	UNIT: MM	PIN MATERIAL:		PIN TENSION LOAD:	
<b>智信电子塑胶有限公司</b> ZHI XIN ELECTRONICS PLASTIC CO., LTD. TEL:0769-86389901-2 FAX:0769-86389903			SCALE:	DATE: 2006.06.15	DRAWING NO. ZX-32A	REV. A01	