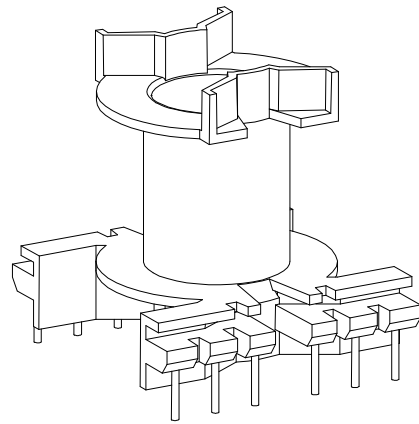
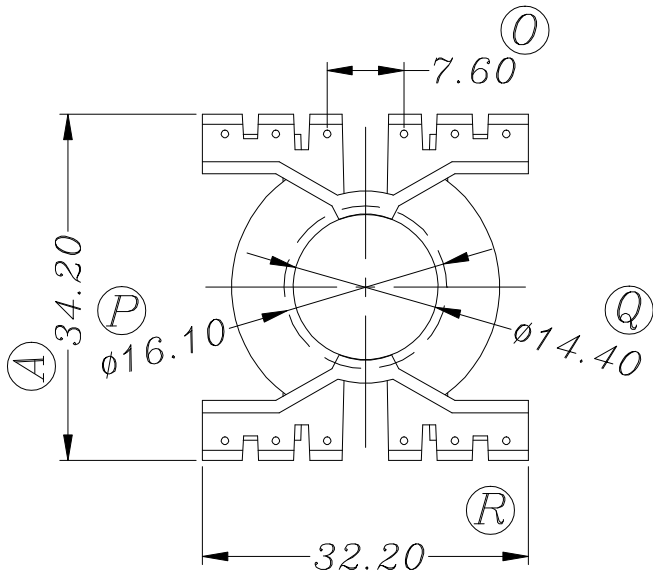
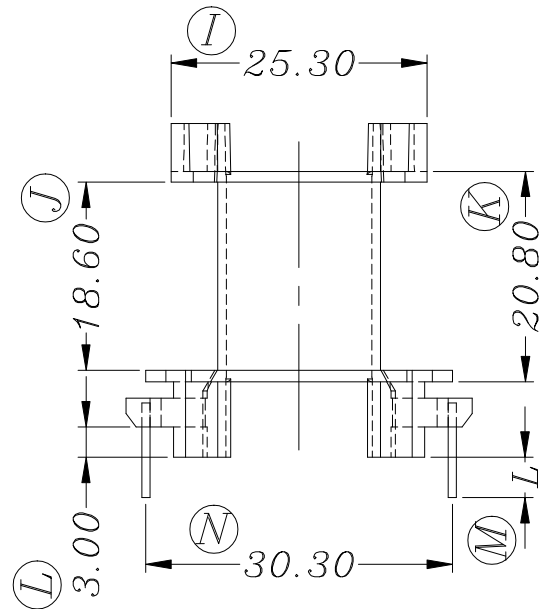
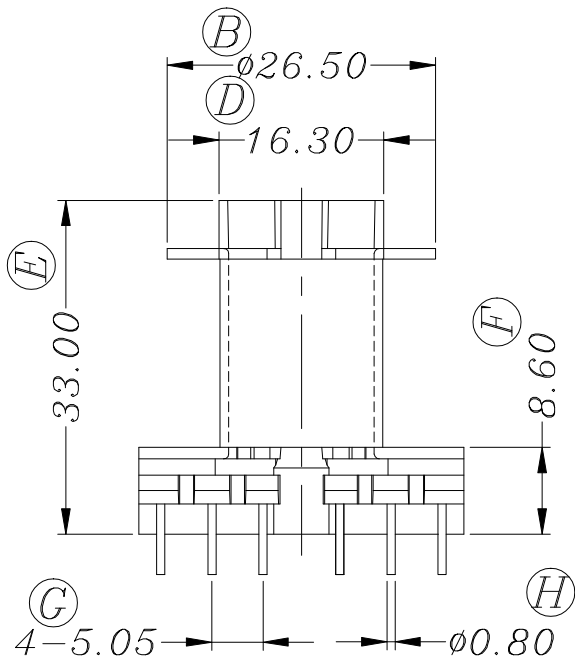


ZX-32C

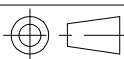


REV.	REVISIONS REC.		DATE	REV.	REVISIONS REC.		DATE
1				4			
2				5			
3				6			
DRAWN & DRAFTED BY		LIU WEI QIANG		TOLERANCES		ANGLE: $\pm 1^\circ$	
CHECKED & APPROVED BY		MA BU JIAN		pin pitch ± 0.2		TITLE: PQ-32 (6+6P)	
		0 < L ≤ 4 ± 0.1		UNIT: MM		BOBBIN MATERIAL: PHENOLIC	
		4 < L ≤ 16 ± 0.2		SCALE:		UL REC. UL 94V-0	
		16 < L ≤ 63 ± 0.3		DATE: 2008.07.05		PIN MATERIAL: CP WIRE	
				DRAWING NO. ZX-32C		PIN TENSION LOAD: 1.5KG MIN	
				REV. A01			



智信电子塑胶有限公司

ZHI XIN ELECTRONICS PLASTIC CO., LTD.
TEL: 0769-86389901-2 FAX: 0769-86389903



DATE: 2008.07.05

DRAWING NO. ZX-32C

REV. A01