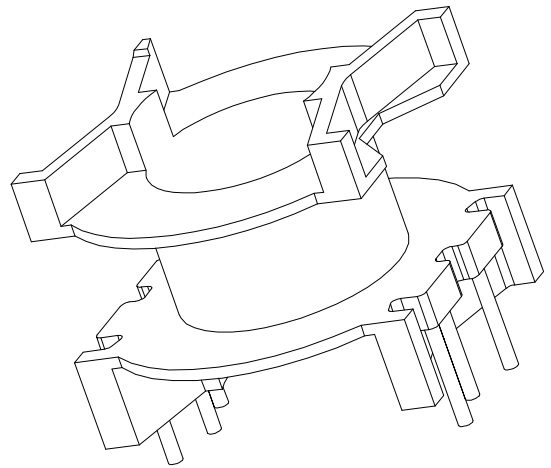
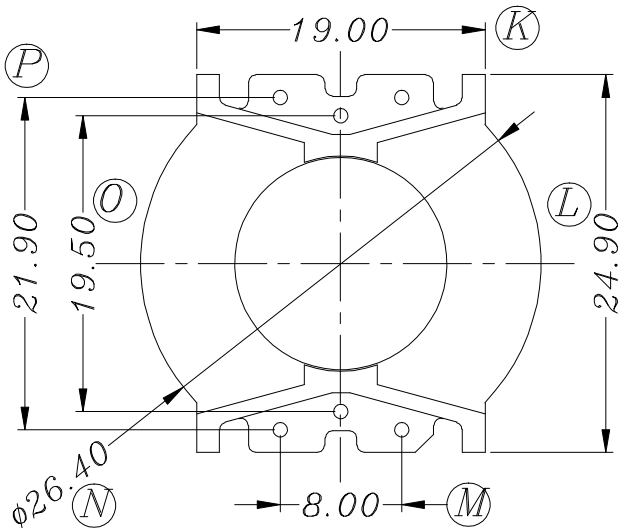
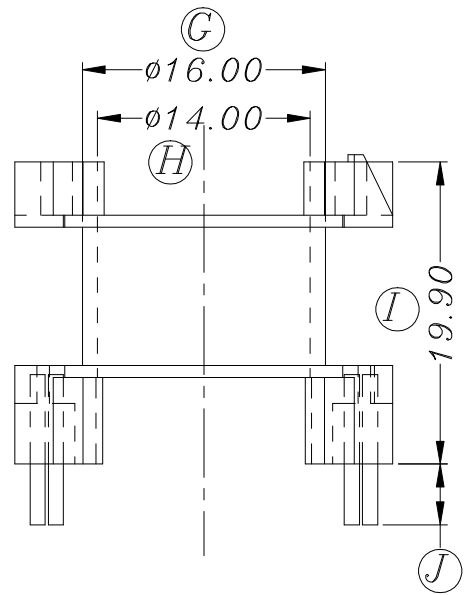
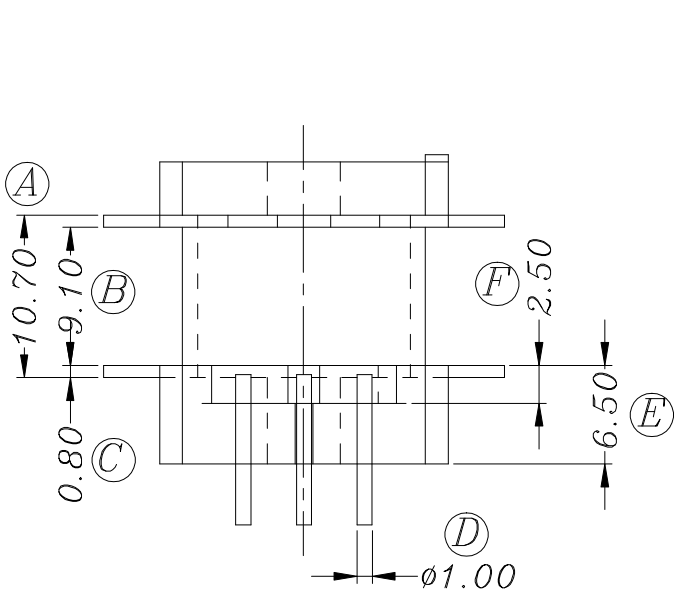


ZX-32D



REV.	REVISIONS REC.		DATE	REV.	REVISIONS REC.		DATE
1				4			
2				5			
3				6			
DRAWN & DRAFTED BY		LIU WEI QIANG	TOLERANCES		ANGLE: $\pm 1^\circ$		TITLE: PQ-3220 (3+3P)
CHECKED & APPROVED BY		MA BU JIAN	0 < L ≤ 4	± 0.1	pin pitch	UNIT: MM	BOBBIN MATERIAL: PHENOLIC
			4 < L ≤ 16	± 0.2			UL REC. UL 94V-0
			16 < L ≤ 63	± 0.3			PIN TENSION LOAD: 1.6KG MIN
智信电子塑胶有限公司 ZHI XIN ELECTRONICS PLASTIC CO., LTD. TEL: 0769-86389901-2 FAX: 0769-86389903		SCALE:		PIN MATERIAL: CP WIRE		DATE: 2005.07.08	
				DRAWING NO. ZX-32D		REV. A01	