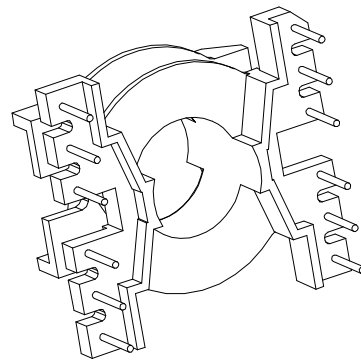
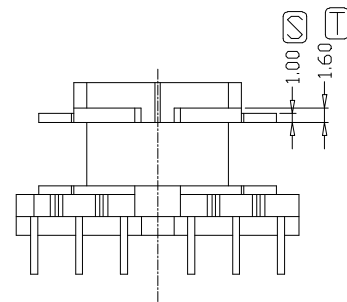
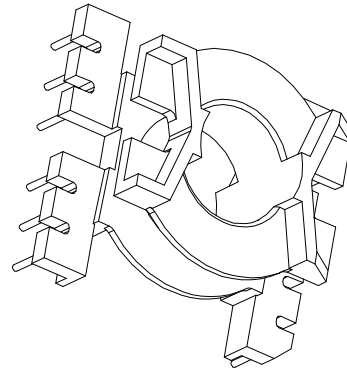
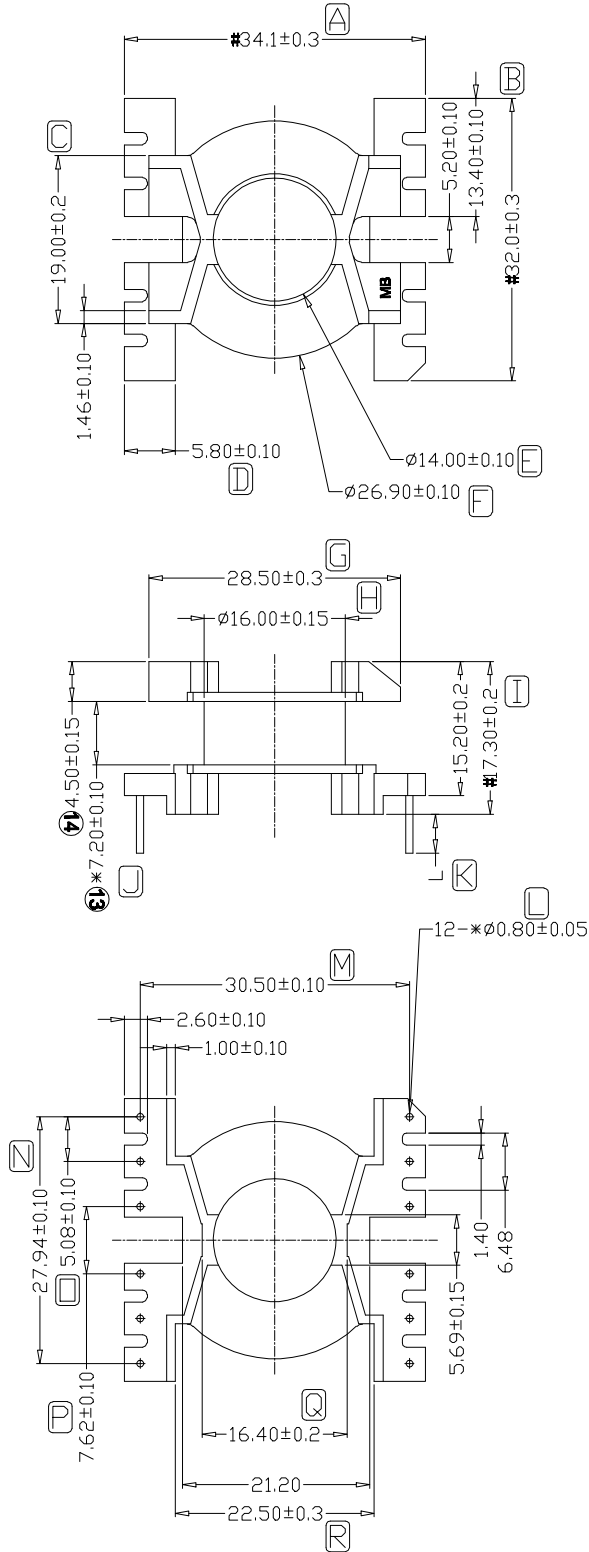


ZX-32H



REV.	REVISIONS REC.	DATE	REV.	REVISIONS REC.	DATE
1			4		
2			5		
3			6		
DRAWN & DRAFTED BY	LIU WEI QIANG	TOLERANCES		ANGLE:	TITLE:
CHECKED & APPROVED BY	MA BU JIAN	$0 < L < 4 \pm 0.1$	pin pitch	$\pm 1^\circ$	PQ-3218 (6+6P)
		$4 < L < 16 \pm 0.2$		UNIT: MM	BOBBIN MATERIAL: PHENOLIC
		$16 < L < 63 \pm 0.3$	± 0.2	SCALE:	PIN MATERIAL: CP WIRE
智信电子塑胶有限公司 ZHI XIN ELECTRONICS PLASTIC CO., LTD. TEL: 0769-86389901-2 FAX: 0769-86389903			DATE: 2017.02.22	DRAWING NO. ZX-32H	UL REC. UL 94V-0 PIN TENSION LOAD: 1.0KG MIN
				REV. A01	