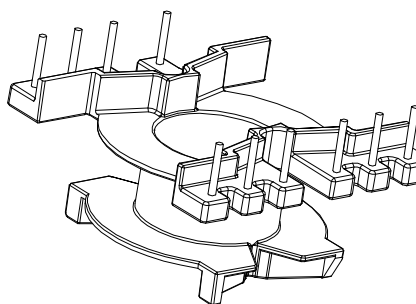
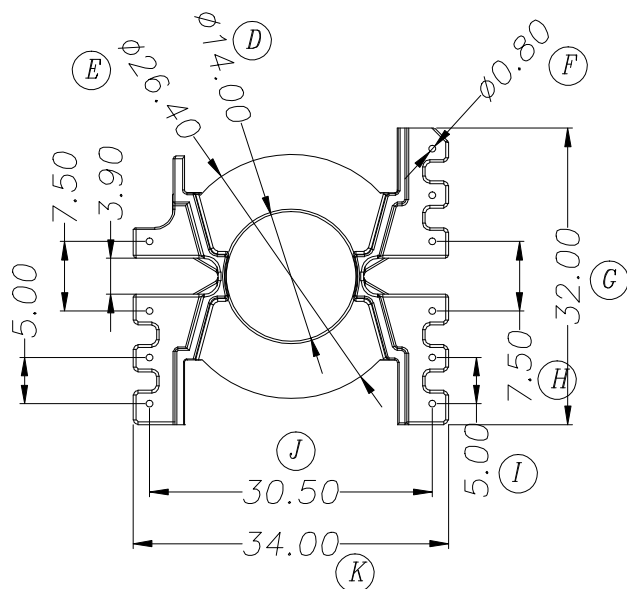
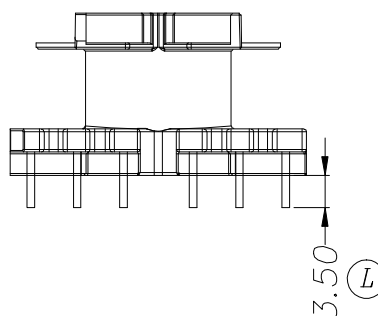
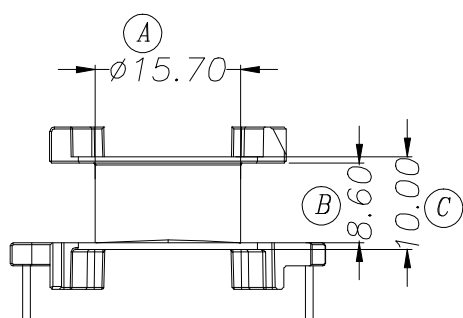
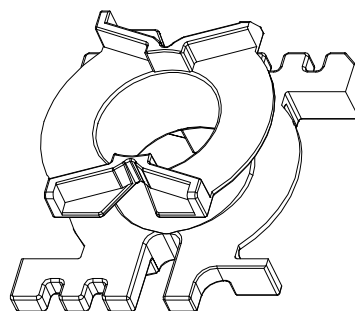
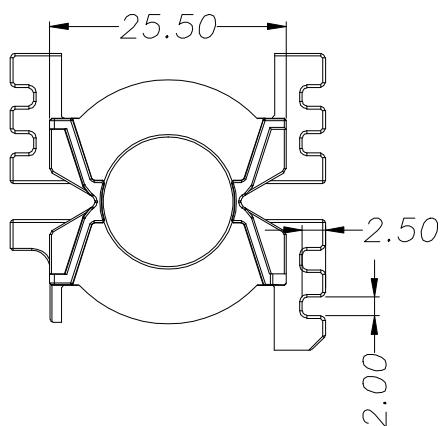


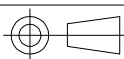
# ZX-32I



REV.	REVISIONS		REC.			
1					4	
2					5	
3					6	
DRAWN & DRAFTED BY		LIU WEI QIANG		TOLERANCES		ANGLE: $\pm 1^\circ$
CHECKED & APPROVED BY		LI QI YI		0 < L ≤ 4	$\pm 0.1$	pin pitch $\pm 0.2$
				4 < L ≤ 16	$\pm 0.2$	
				16 < L ≤ 63	$\pm 0.3$	UNIT: MM
				SCALE:		TITLE: <b>PQ-32 (6+4P)</b>
				DATE: 2017.12.30		BOBBIN MATERIAL: <b>PHENOLIC</b>
				DRAWING NO. <b>ZX-32I</b>		UL REC. <b>UL 94V-0</b>
				REV. <b>A01</b>		PIN MATERIAL: <b>CP WIRE</b>
						PIN TENSION LOAD: <b>1.2KG MIN</b>



**智信电子塑胶有限公司**  
**ZHI XIN ELECTRONICS PLASTIC CO., LTD.**  
 TEL: 0769-86389901-2 FAX: 0769-86389903



DATE: 2017.12.30

DRAWING NO. **ZX-32I**

REV. **A01**