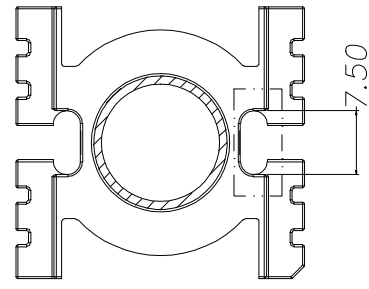
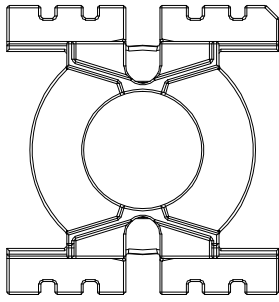
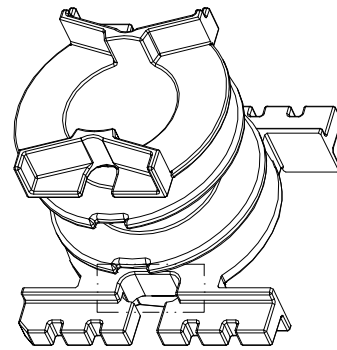
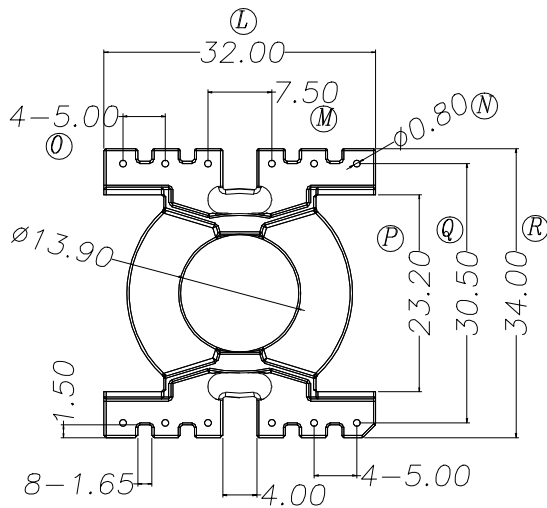
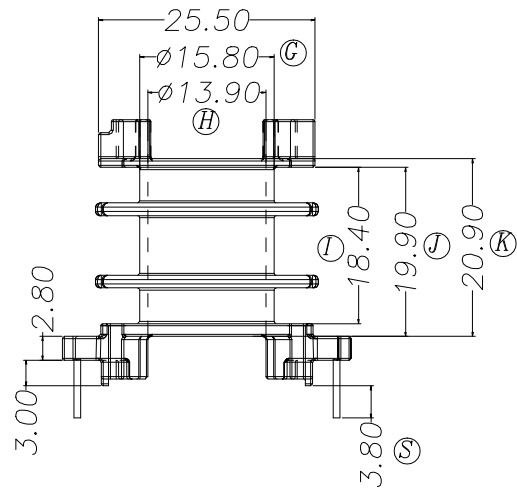
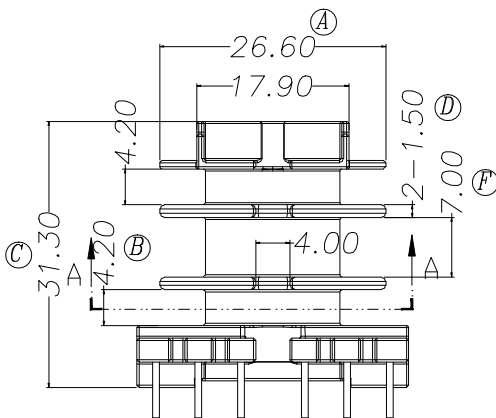


# ZX-32J



SECTION A-A

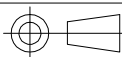


REV.	REVISIONS REC.		DATE.	REV.	REVISIONS REC.		DATE.
1				4			
2				5			
3				6			
DRAWN & DRAFTED BY		LIU WEI QIANG		TOLERANCES		ANGLE: $\pm 1^\circ$	
CHECKED & APPROVED BY		LI QI YI		pin pitch		UNIT: MM	
				0 < L ≤ 4 ±0.1		TITLE: PQ-3230(6+6P)	
				4 < L ≤ 16 ±0.2		BOBBIN MATERIAL: PM-9630	
				16 < L ≤ 63 ±0.3		UL REC. UL 94V-0	
				SCALE:		PIN MATERIAL: CP WIRE	
				DATE: 2018.01.13		PIN TENSION LOAD: 1.2KG MIN	
				DRAWING NO. ZX-32J		REV. A01	



智信电子塑胶有限公司

ZHI XIN ELECTRONICS PLASTIC CO., LTD.  
TEL:0769-86389901-2 FAX:0769-86389903



DATE: 2018.01.13

DRAWING NO. ZX-32J

REV. A01