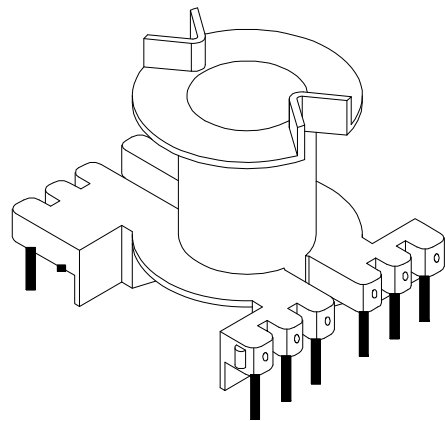
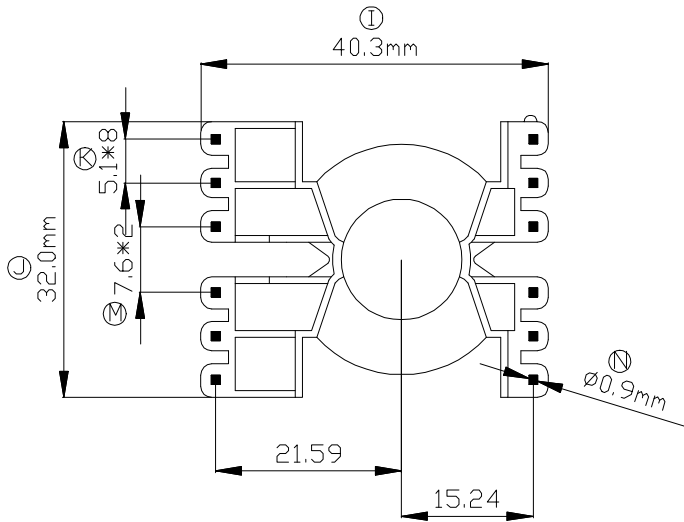
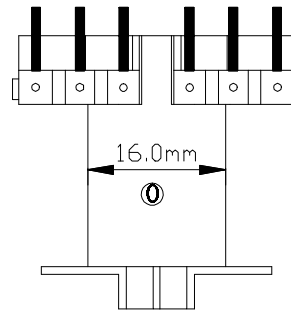
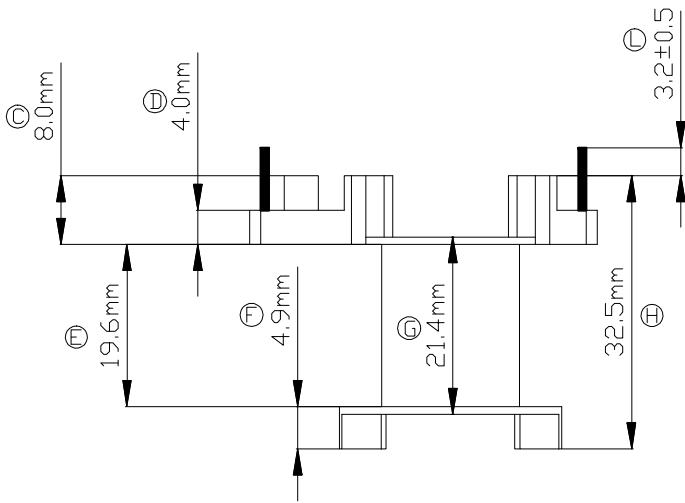
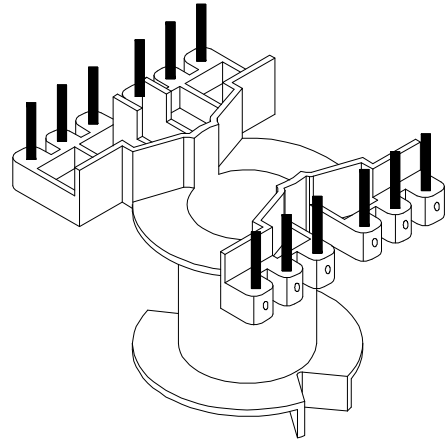
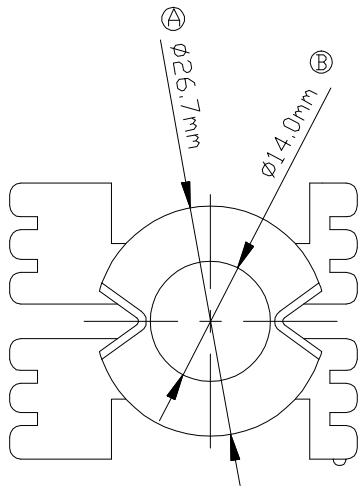


ZX-32M



REV.	REVISIONS REC.		DATE	REV.	REVISIONS REC.		DATE		
1				4					
2				5					
3				6					
DRAWN & DRAFTED BY		LIU WEI QIANG		TOLERANCES		ANGLE: $\pm 1^\circ$		TITLE: PQ-3230(6+6P)	
CHECKED & APPROVED BY		ZHANG YONG		0<L≤4 ±0.1 4<L≤16 ±0.2 16<L≤63 ±0.3		pin pitch ±0.2		UNIT: MM	
BOBBIN MATERIAL:		FR530		SCALE:		PIN MATERIAL:		CP WIRE	
UL REC. UL 94V-0		PIN TENSION LOAD:		DATE: 2018.12.08		DRAWING NO. ZX-32M		REV. A01	
1.5KG MIN									



智信电子塑胶有限公司

ZHI XIN ELECTRONICS PLASTIC CO., LTD.
 TEL:0769-86389901-2 FAX:0769-86389903

