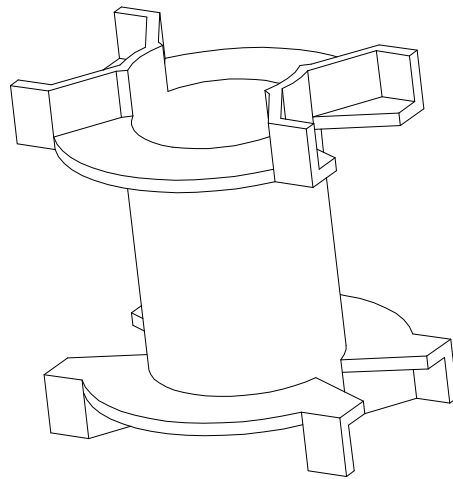
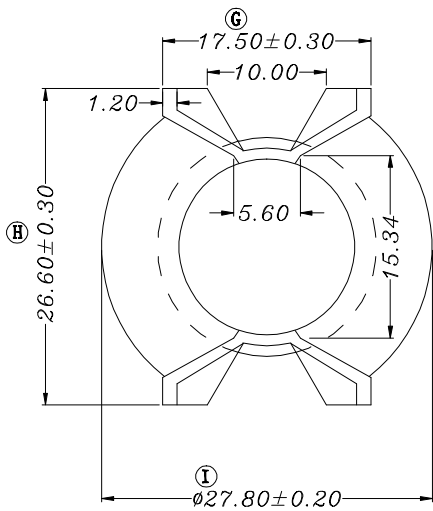
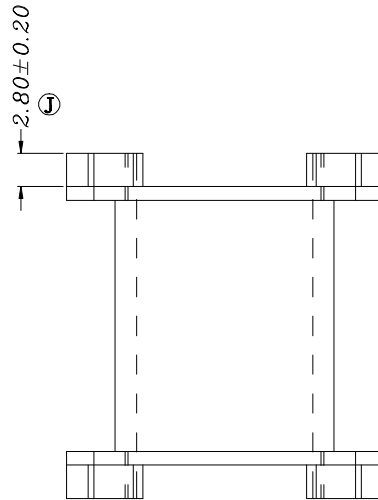
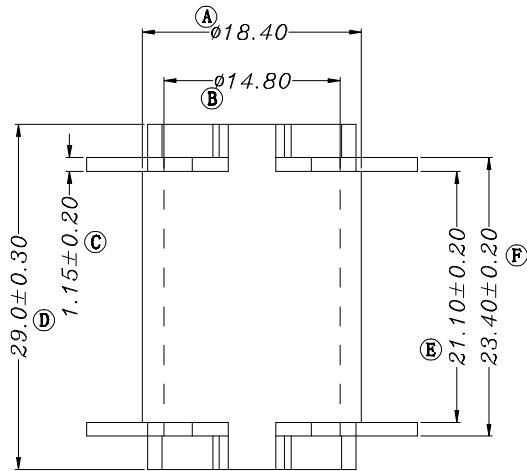


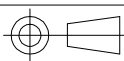
ZX-33H



REV.	REVISIONS REC.		DATE	REV.	REVISIONS REC.		DATE
1				4			
2				5			
3				6			
DRAWN & DRAFTED BY		LIU WEI QIANG	TOLERANCES		ANGLE:	TITLE: PQ-33 BOBBIN	
CHECKED & APPROVED BY		MA BU JIAN	0 < L ≤ 4 ±0.1	pin pitch ±0.2	±1°	BOBBIN MATERIAL: PHENOLIC	
			4 < L ≤ 16 ±0.2		UNIT:	UL REC. UL 94V-0	
			16 < L ≤ 63 ±0.3	MM	PIN MATERIAL:		PIN TENSION LOAD:
				SCALE:	DATE: 2009.04.19		DRAWING NO. ZX-33H
					REV. A01		



智信电子塑胶有限公司
 ZHI XIN ELECTRONICS PLASTIC CO., LTD.
 TEL:0769-86389901-2 FAX:0769-86389903



DATE: 2009.04.19

DRAWING NO.

ZX-33H

REV. A01