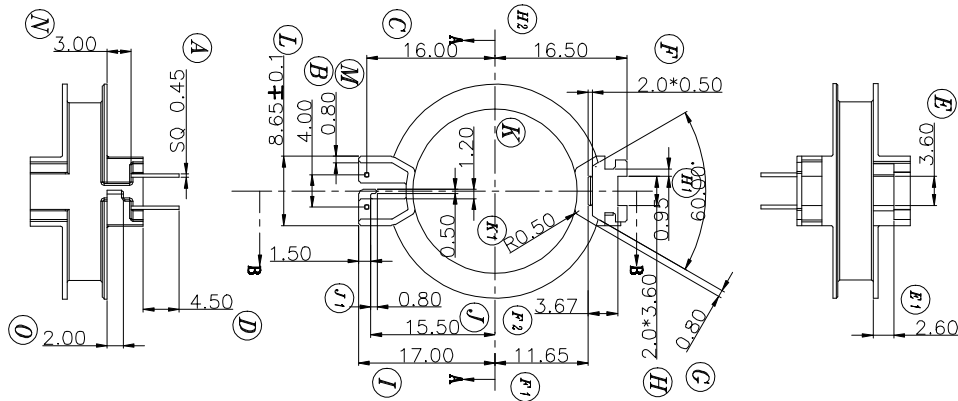
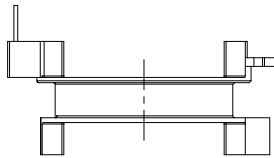


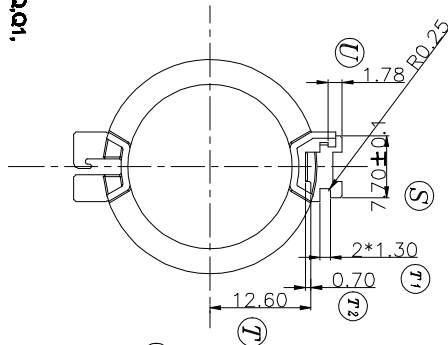
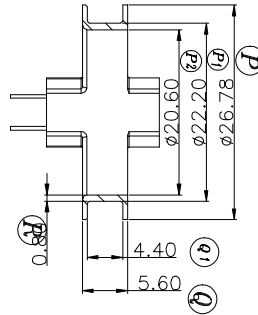
ZX-34G



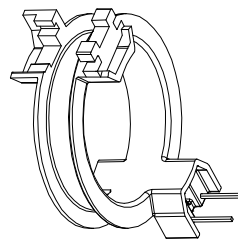
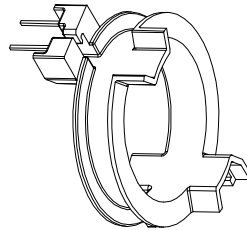
重点检查尺寸: A,B,D,E,F,P1,P2,Q,Q1,



SECTION A-A



SECTION B-B



- 注:
1. 根据客户要求, 把精圆方孔做成, 和精圆方孔相连接的长方孔(见一)
 2. 把精圆方孔上方给平面 和给0.80, 比原高平面小1.20
 3. 红色线升修改

对应ZX-8.8A

REV.	REVISIONS	REC.	DATE	REV.	REVISIONS	REC.	DATE		
1				4					
2				5					
3				6					
DRAWN & DRAFTED BY		LIU WEI QIANG		TOLERANCES		ANGLE: ±1°		TITLE: PQ-34(2P)	
CHECKED & APPROVED BY		LI JUN		0<L≤4 ±0.1 4<L≤16 ±0.2 16<L≤63 ±0.3		pin pitch ±0.2		BOBBIN MATERIAL: PM-9630	
				UNIT: MM				UL REC. UL 94V-0	
				SCALE:		PIN MATERIAL:		PIN TENSION LOAD:	
ZXE		智信电子塑胶有限公司		DATE: 2011.07.26		DRAWING NO. ZX-34G		REV. A00	
		ZHI XIN ELECTRONICS PLASTIC CO., LTD.							
		TEL:0769-86389901-2							
		FAX:0769-86389903							