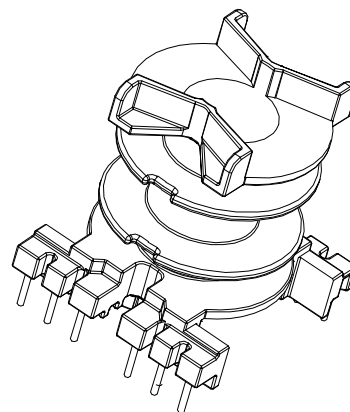
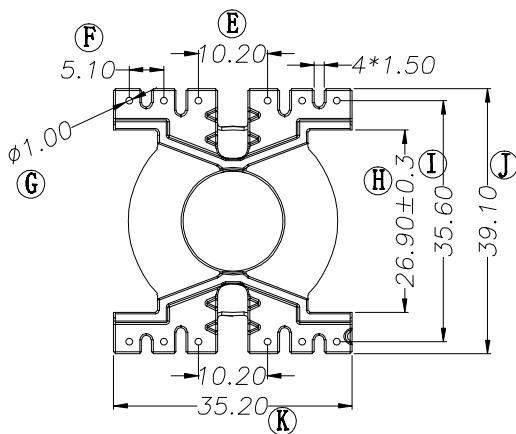
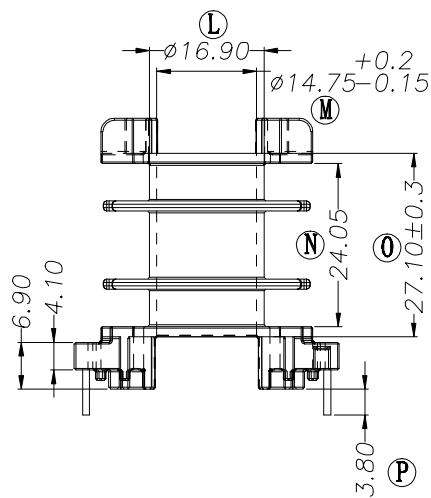
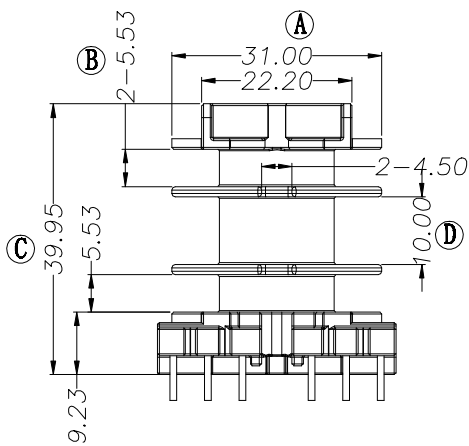
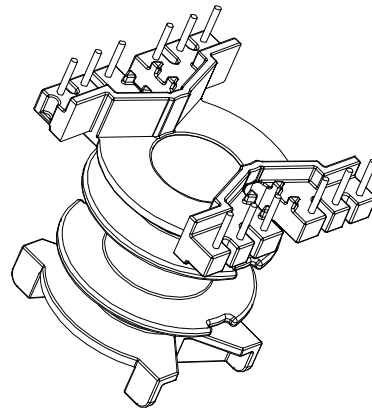
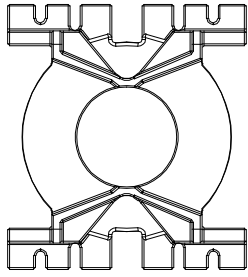


ZX-35T



REV.	REVISIONS	REC.	DATE.	REV.	REVISIONS	REC.	DATE.
1				4			
2				5			
3				6			
DRAWN & DRAFTED BY	LIU WEI QIANG		TOLERANCES		ANGLE:	TITLE: PQ-3535(6+6P)	
CHECKED & APPROVED BY	LI QI YI		0<L≤4 ±0.1	pin pitch	±1°	BOBBIN MATERIAL: PHENOLIC	
			4<L≤16 ±0.2	±0.2	UNIT:	UL REC. UL 94V-0	
			16<L≤63 ±0.3		MM	PIN MATERIAL: CP WIRE	
					SCALE:	PIN TENSION LOAD: 1.2KG MIN	
智信电子塑胶有限公司 ZHI XIN ELECTRONICS PLASTIC CO., LTD. TEL:0769-86389901-2 FAX:0769-86389903			DATE: 2018.01.03		DRAWING NO. ZX-35T		REV. A01