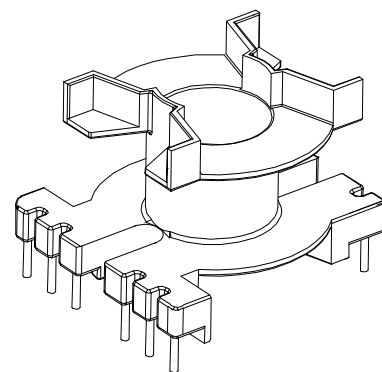
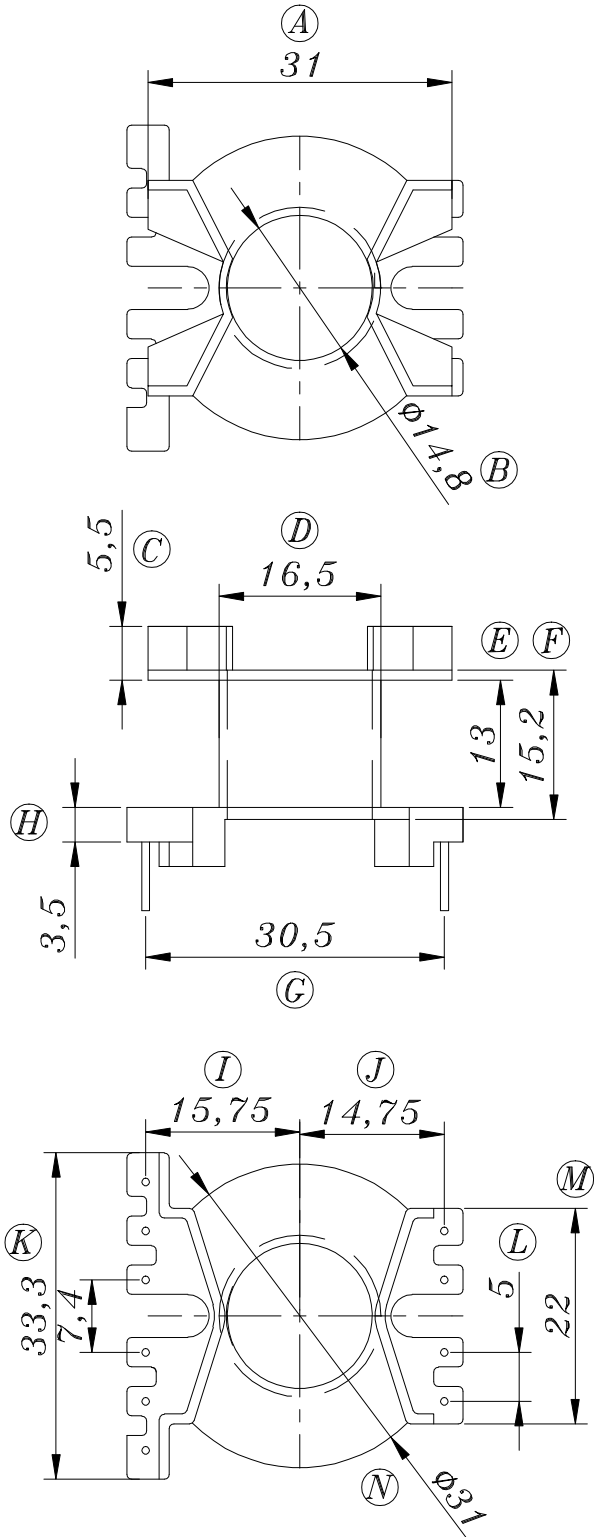


ZX-35X



REV.	REVISIONS REC.		DATE	REV.	REVISIONS REC.		DATE		
1				4					
2				5					
3				6					
DRAWN & DRAFTED BY		LIU WEI QIANG		TOLERANCES		ANGLE: $\pm 1^\circ$		TITLE: PQ-35(4+6P)	
CHECKED & APPROVED BY		ZHANG YONG		$0 < L \leq 4 \pm 0.1$ $4 < L \leq 16 \pm 0.2$ $16 < L \leq 63 \pm 0.3$		pin pitch ± 0.2		UNIT: MM	
SCALE:		DATE: 2018.12.08		BOBBIN MATERIAL: PHENOLIC		PIN MATERIAL: CP WIRE		UL REC. UL 94V-0	
DRAWING NO. ZX-35X		REV. A01		PIN TENSION LOAD: 1.2KG MIN					



智信电子塑胶有限公司
 ZHI XIN ELECTRONICS PLASTIC CO., LTD.
 TEL: 0769-86389901-2 FAX: 0769-86389903

