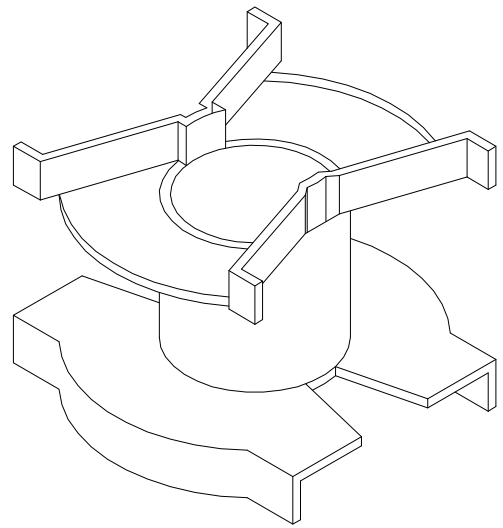
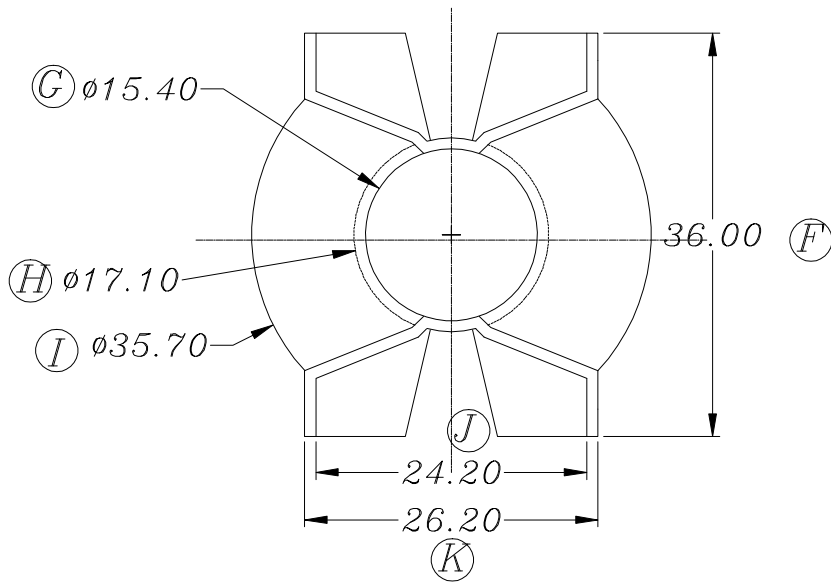
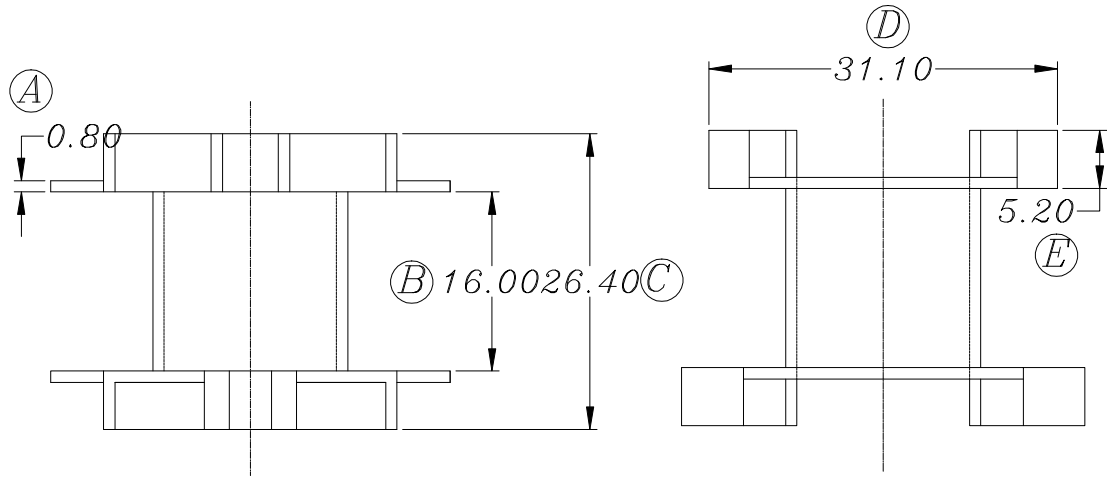


ZX-40U



REV.	REVISIONS REC.		DATE	REV.	REVISIONS REC.		DATE											
1				4														
2				5														
3				6														
DRAWN & DRAFTED BY		LIU WEI QIANG		TOLERANCES		ANGLE: $\pm 1^\circ$		TITLE: PQ-4040 BOBBIN										
CHECKED & APPROVED BY		ZHANG YONG		<table border="1"> <tr> <td>0 < L ≤ 4</td> <td>±0.1</td> <td rowspan="3">pin pitch ±0.2</td> </tr> <tr> <td>4 < L ≤ 16</td> <td>±0.2</td> </tr> <tr> <td>16 < L ≤ 63</td> <td>±0.3</td> </tr> </table>		0 < L ≤ 4	±0.1	pin pitch ±0.2	4 < L ≤ 16	±0.2	16 < L ≤ 63	±0.3	UNIT: MM		BOBBIN MATERIAL: PHENOLIC		UL REC. UL 94V-0	
0 < L ≤ 4	±0.1	pin pitch ±0.2																
4 < L ≤ 16	±0.2																	
16 < L ≤ 63	±0.3																	
				SCALE:		PIN MATERIAL: CP WIRE		PIN TENSION LOAD:										
		智信电子塑胶有限公司 ZHI XIN ELECTRONICS PLASTIC CO., LTD. TEL: 0769-86389901-2 FAX: 0769-86389903				DATE: 2018.12.08		DRAWING NO. ZX-40U										
								REV. A01										