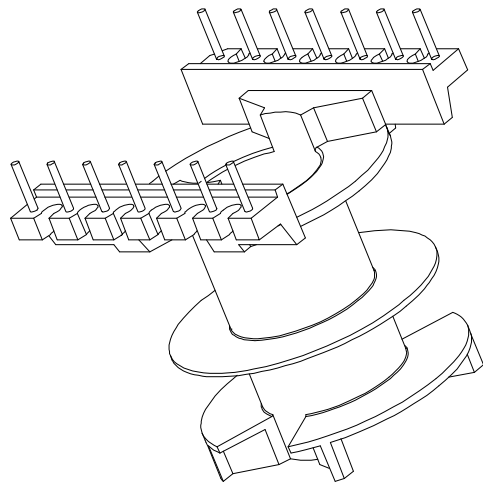
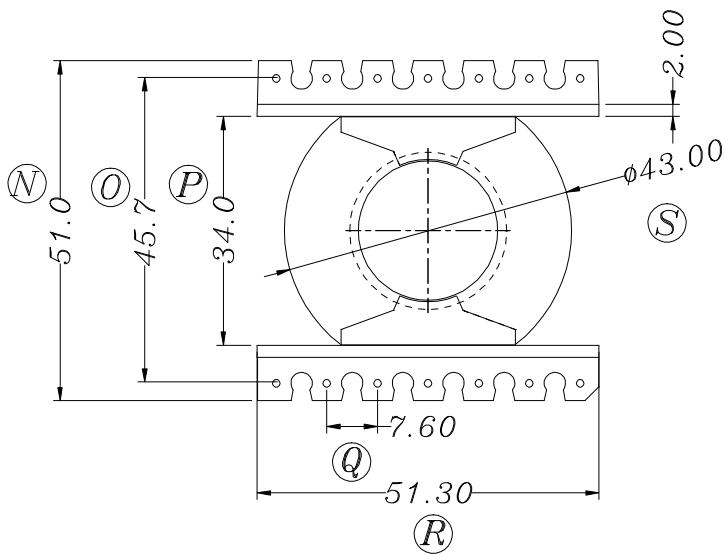
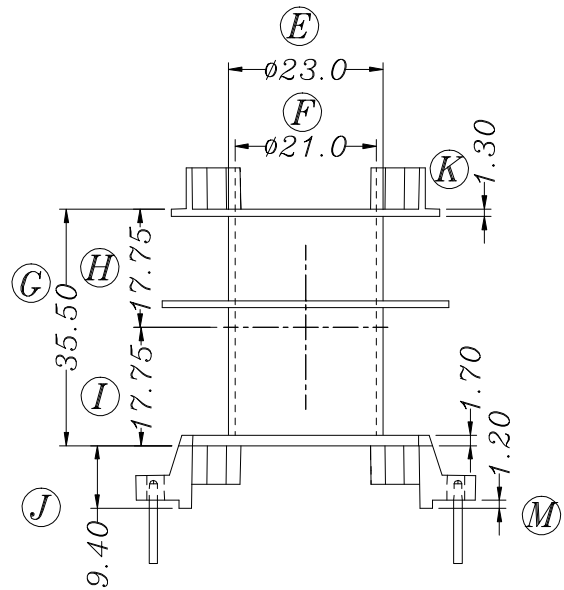
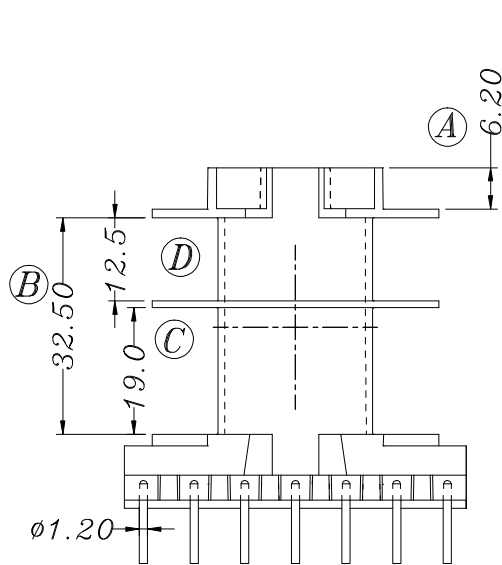


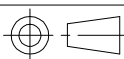
ZX-50B1



| REV. | REVISIONS REC. | | DATE | REV. | REVISIONS REC. | | DATE | | |
|-----------------------|----------------|---------------|------|---|----------------|----------------------|------|---------------------------------|--|
| 1 | | | | 4 | | | | | |
| 2 | | | | 5 | | | | | |
| 3 | | | | 6 | | | | | |
| DRAWN & DRAFTED BY | | LIU WEI QIANG | | TOLERANCES | | ANGLE: $\pm 1^\circ$ | | TITLE: PQ-5050 (7+7P) 2S | |
| CHECKED & APPROVED BY | | MA BU JIAN | | $0 < L \leq 4 \pm 0.1$ $4 < L \leq 16 \pm 0.2$ $16 < L \leq 63 \pm 0.3$ | | UNIT: MM | | BOBBIN MATERIAL: PHENOLIC | |
| | | | | pin pitch ± 0.2 | | SCALE: | | UL REC. UL 94V-0 | |
| | | | | | | DATE: 2004.09.24 | | PIN MATERIAL: CP WIRE | |
| | | | | | | DRAWING NO. ZX-50B1 | | PIN TENSION LOAD: 1.8KG MIN | |
| | | | | | | | | REV. A01 | |



智信电子塑胶有限公司
ZHI XIN ELECTRONICS PLASTIC CO., LTD.
 TEL: 0769-86389901-2 FAX: 0769-86389903



DATE: 2004.09.24

DRAWING NO. ZX-50B1

REV. A01