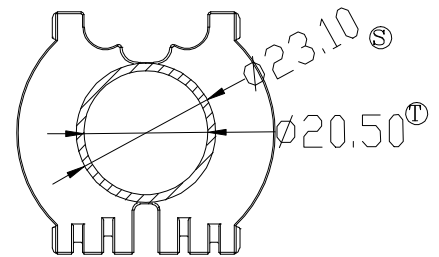
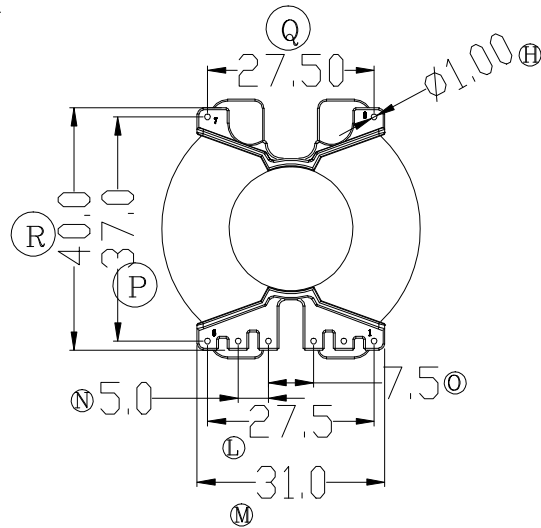
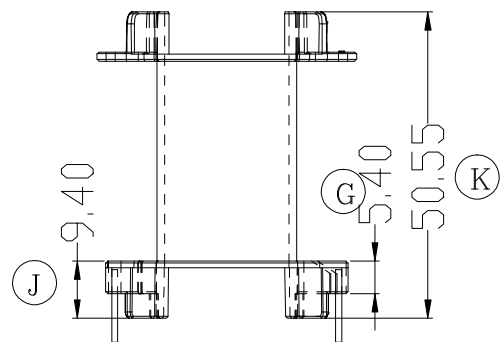
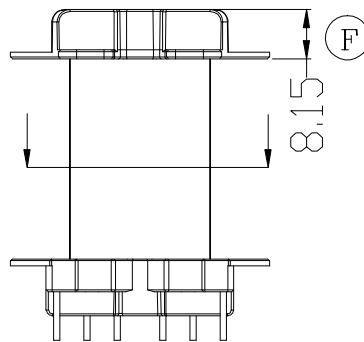
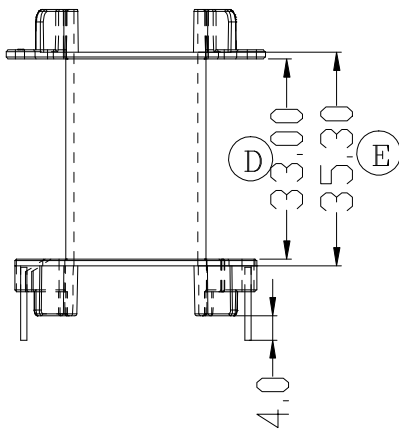
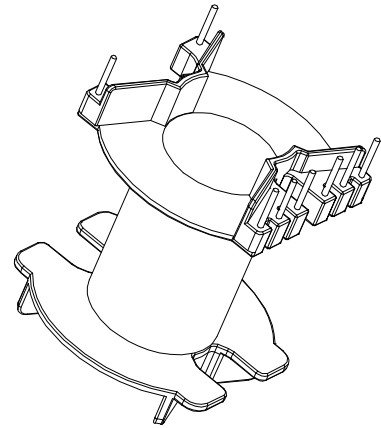
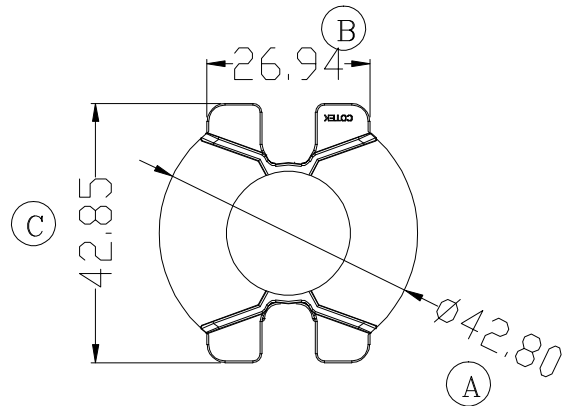

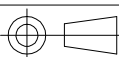


# ZX-50C



截面 AA-AA

REV.	REVISIONS	REC.	DATE	REV.	REVISIONS	REC.	DATE
1				4			
2				5			
3				6			
DRAWN & DRAFTED BY		TOLERANCES		ANGLE: ±1°		TITLE: PQ-5050 (2+6P)	
CHECKED & APPROVED BY		0<L<4 ±0.1 pin pitch		UNIT: MM		BOBBIN MATERIAL: PHENOLIC	
LI QI YI		4<L<16 ±0.2		SCALE:		UL REC. UL 94V-0	
		16<L<63 ±0.3 ±0.2		DATE: 2017.09.23		PIN MATERIAL: CP WIRE	
 智信电子塑胶有限公司 ZHI XIN ELECTRONICS PLASTIC CO., LTD. TEL: 0769-86389901-2 FAX: 0769-86389903		 SCALE:		DRAWING NO. ZX-50C		PIN TENSION LOAD: 1.5KG MIN	
				REV. A01			