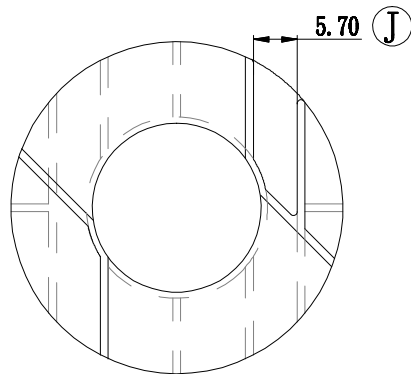
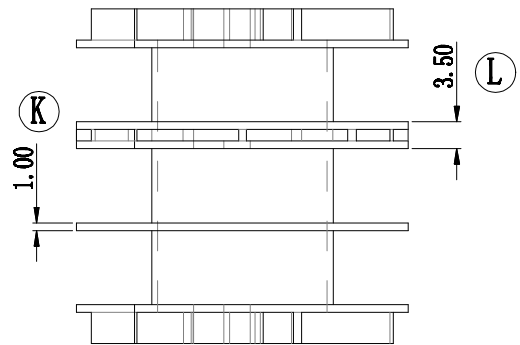
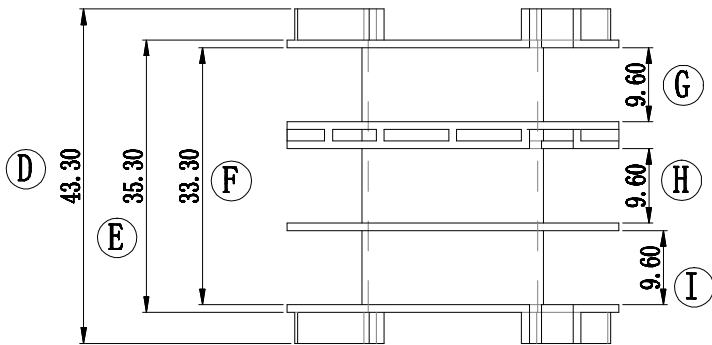
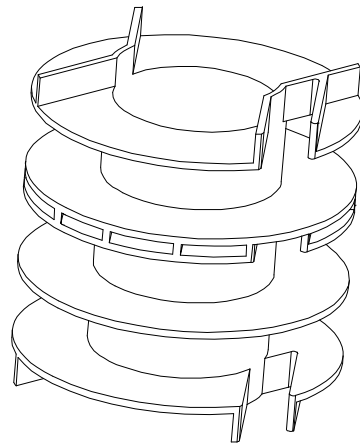
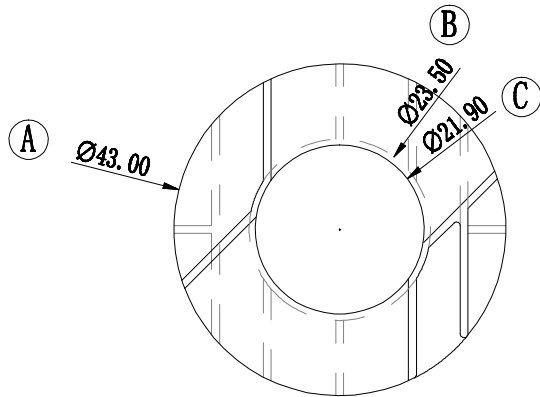


ZX-50E



REV.	REVISIONS REC.		DATE	REV.	REVISIONS REC.		DATE
1				4			
2				5			
3				6			
DRAWN & DRAFTED BY	LIU WEI QIANG	TOLERANCES		ANGLE:	TITLE: PQ-5050 胶芯		
CHECKED & APPROVED BY	ZHANG YONG	0<L≤4 ±0.1	pin pitch ±0.2	UNIT:	BOBBIN MATERIAL: PET	UL REC. UL 94V-0	
		4<L≤16 ±0.2		SCALE:	PIN MATERIAL:	PIN TENSION LOAD:	
		16<L≤63 ±0.3					
<b>智信电子塑胶有限公司</b> ZHI XIN ELECTRONICS PLASTIC CO., LTD. TEL:0769-86389901-2 FAX:0769-86389903				DATE: 2018.12.08	DRAWING NO. ZX-50E	REV. A01	