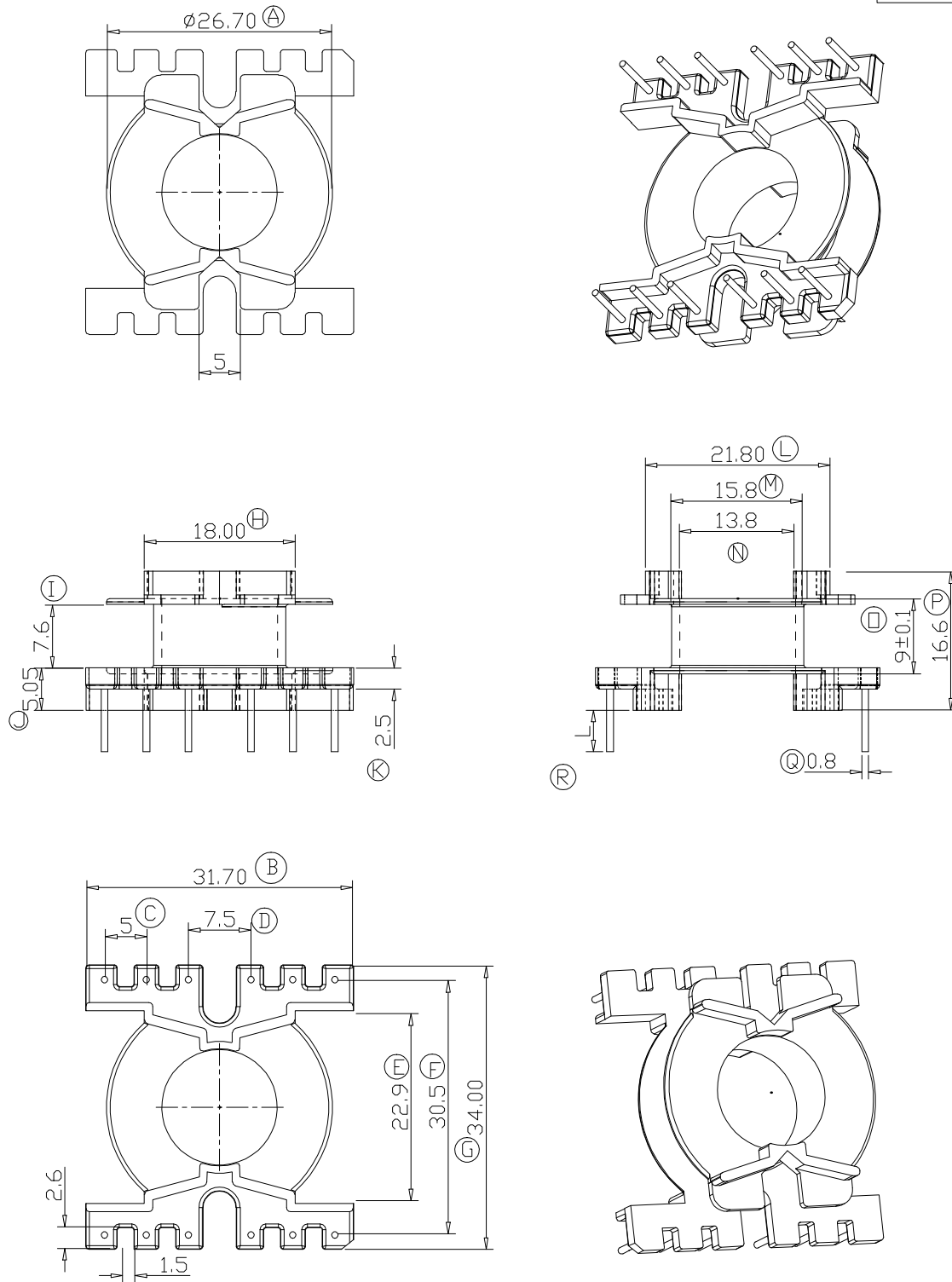


ZX-3217A



REV.	REVISIONS	REC.	DATE	REV.	REVISIONS	REC.	DATE
1	ⓐ 此尺寸变更前9.4 变更后9.0	±0.1	16.11.25	4			
2				5			
3				6			
DRAWN & DRAFTED BY		LIU WEI QIANG		TOLERANCES		ANGLE: $\pm 1^\circ$	
CHECKED & APPROVED BY		MA BU JIAN		0 < L ≤ 4 ±0.1		TITLE: PQ-3217(6+6P)	
				4 < L ≤ 16 ±0.2		BOBBIN MATERIAL: PM-9820	
				16 < L ≤ 63 ±0.3		UL REC. UL 94V-0	
				pin pitch ±0.2		PIN MATERIAL: CP WIRE	
				UNIT: MM		PIN TENSION LOAD: 1.2KG MIN	
				SCALE:		DATE: 2008.07.21	
				DRAWING NO. ZX-3217A		REV. A01	



智信电子塑胶有限公司
 ZHI XIN ELECTRONICS PLASTIC CO., LTD.
 TEL:0769-86389901-2 FAX:0769-86389903

