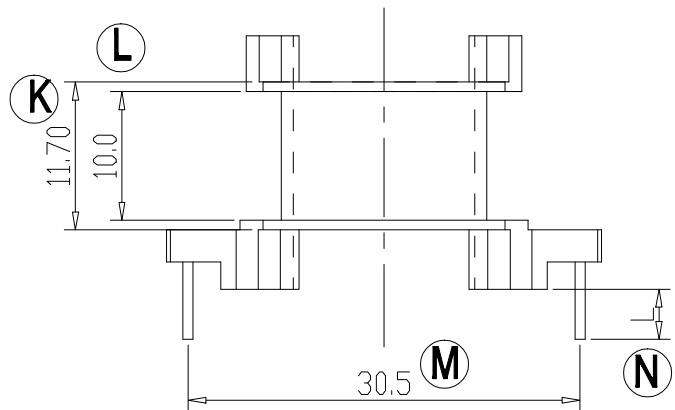
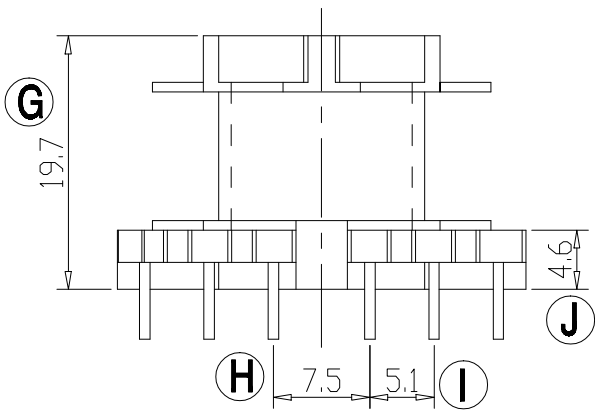
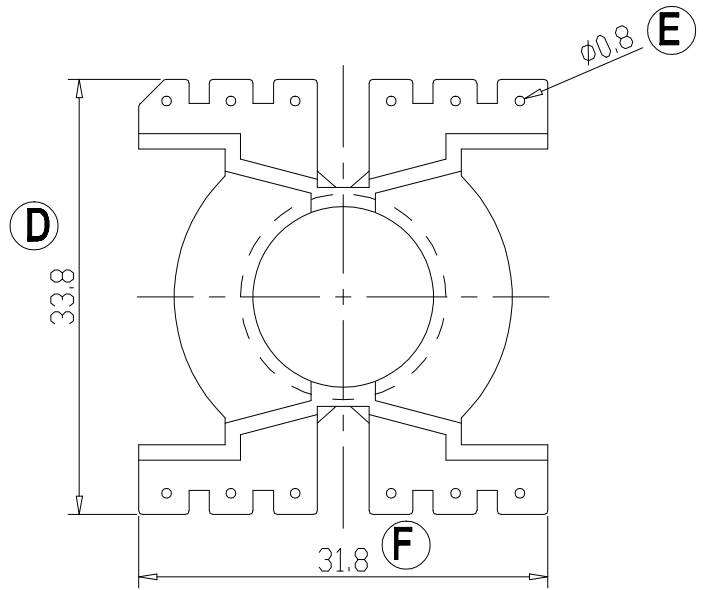
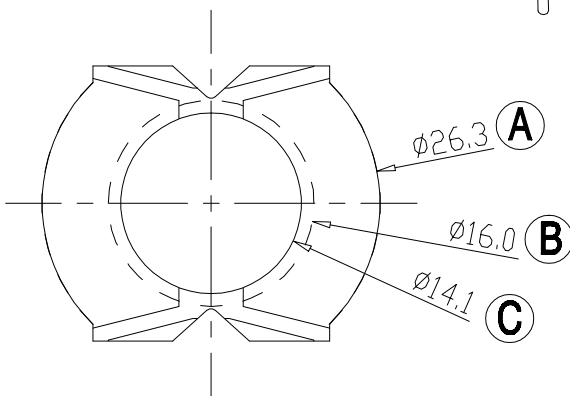
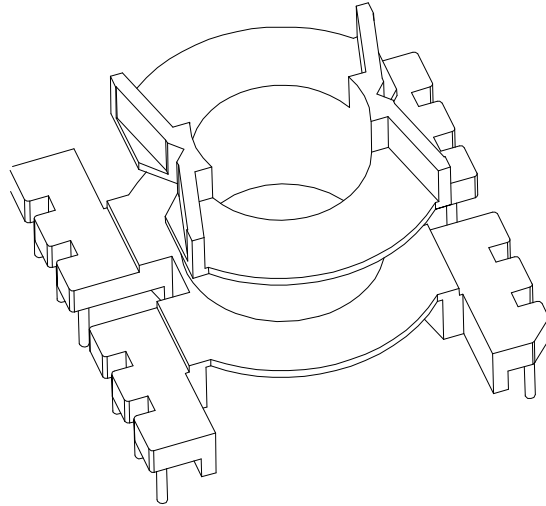


ZX-3220A



REV.	REVISIONS REC.		DATE	REV.	REVISIONS REC.		DATE							
1				4										
2				5										
3				6										
DRAWN & DRAFTED BY		LIU WEI QIANG		TOLERANCES		ANGLE: $\pm 1^\circ$								
CHECKED & APPROVED BY		LI JUN		<table border="1"> <tr> <td>0 &lt;math&gt;L \le 4&lt;/math&gt;</td> <td><math>\pm 0.1</math></td> <td rowspan="3">pin pitch</td> </tr> <tr> <td>4 &lt;math&gt;L \le 16&lt;/math&gt;</td> <td><math>\pm 0.2</math></td> </tr> <tr> <td>16 &lt;math&gt;L \le 63&lt;/math&gt;</td> <td><math>\pm 0.3</math></td> </tr> </table>		0 <math>L \le 4</math>	$\pm 0.1$	pin pitch	4 <math>L \le 16</math>	$\pm 0.2$	16 <math>L \le 63</math>	$\pm 0.3$	UNIT: MM	
0 <math>L \le 4</math>	$\pm 0.1$	pin pitch												
4 <math>L \le 16</math>	$\pm 0.2$													
16 <math>L \le 63</math>	$\pm 0.3$													
SCALE:		TITLE: PQ-3220(6+6P)		BOBBIN MATERIAL: PHENOLIC		UL REC. UL 94V-0								
DATE: 2004.08.28		DRAWING NO. ZX-3220A		PIN MATERIAL: CP WIRE		PIN TENSION LOAD: 1.2KG MIN								
		<b>智信电子塑胶有限公司</b> ZHI XIN ELECTRONICS PLASTIC CO., LTD. TEL:0769-86389901-2 FAX:0769-86389903				REV. A01								