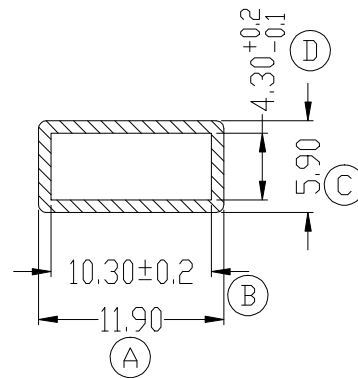
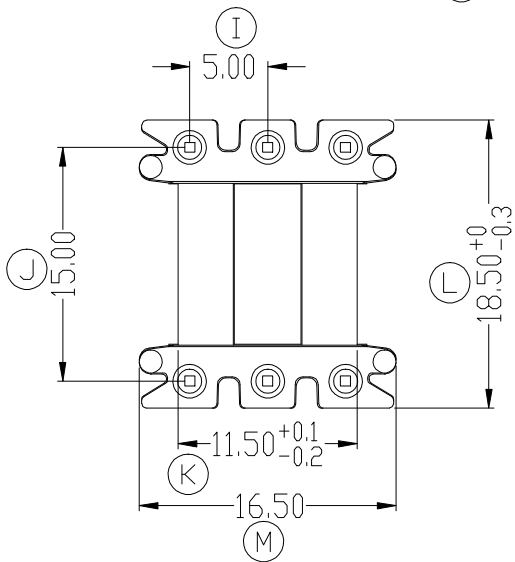
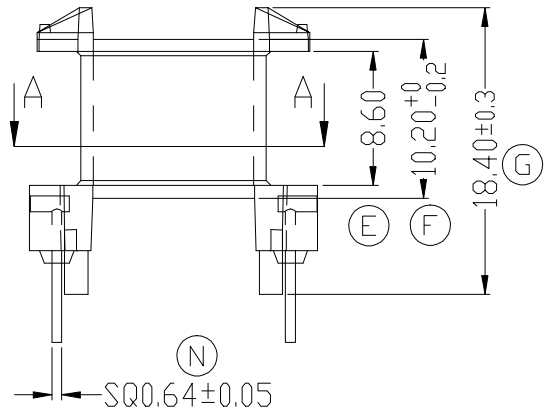
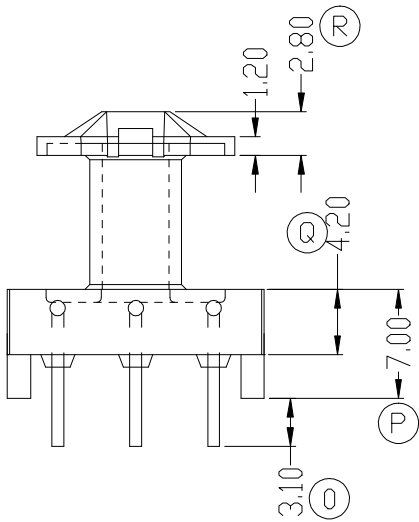
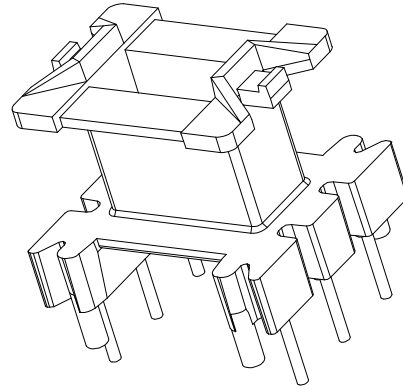
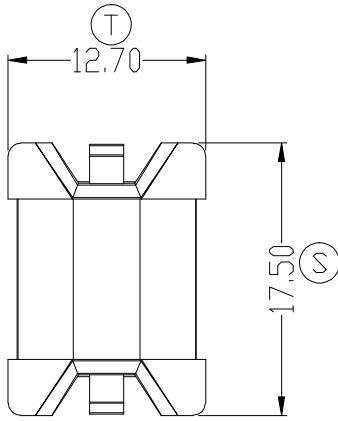


# ZX-16AF



SEC A-A

REV.	REVISIONS REC.		DATE	REV.	REVISIONS REC.		DATE
1				4			
2				5			
3				6			
DRAWN & DRAFTED BY		LIU WEI QIANG		TOLERANCES		ANGLE: $\pm 1^\circ$	
CHECKED & APPROVED BY		MA BU JIAN		$0 < L \leq 4 \quad \pm 0.1$ $4 < L \leq 16 \quad \pm 0.2$ $16 < L \leq 63 \quad \pm 0.3$		pin pitch $\pm 0.2$ UNIT: MM SCALE:	
<b>智信电子塑胶有限公司</b> ZHI XIN ELECTRONICS PLASTIC CO., LTD. TEL:0769-86389901-2 FAX:0769-86389903				TITLE: <b>EF-16(3+3P)</b> BOBBIN MATERIAL: PET /FR530 PIN MATERIAL: CP WIRE		UL REC. UL 94V-0 PIN TENSION LOAD: 1.0KG MIN	
				DATE: 2011.05.08		DRAWING NO. <b>ZX-16AF</b>	
						REV. A00	