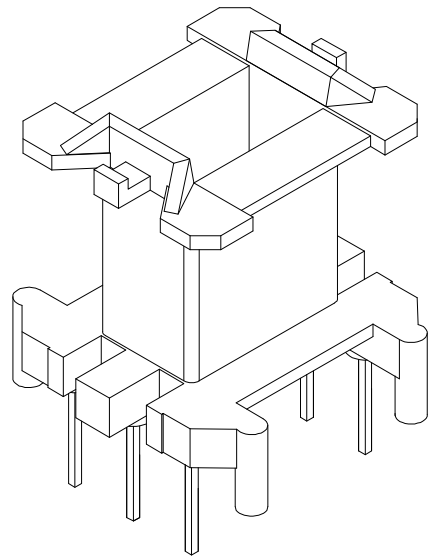
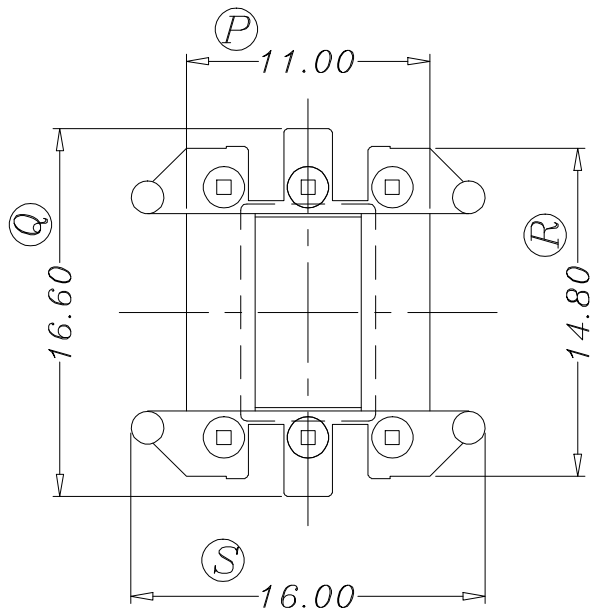
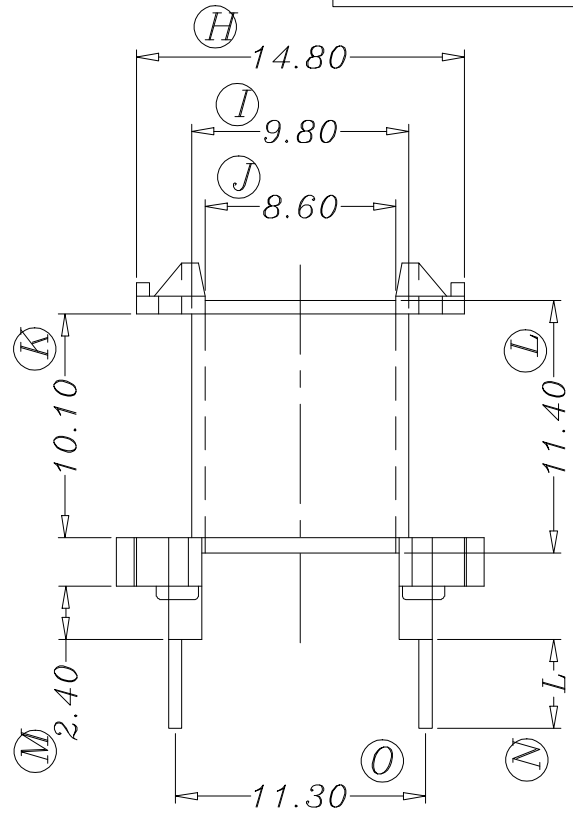
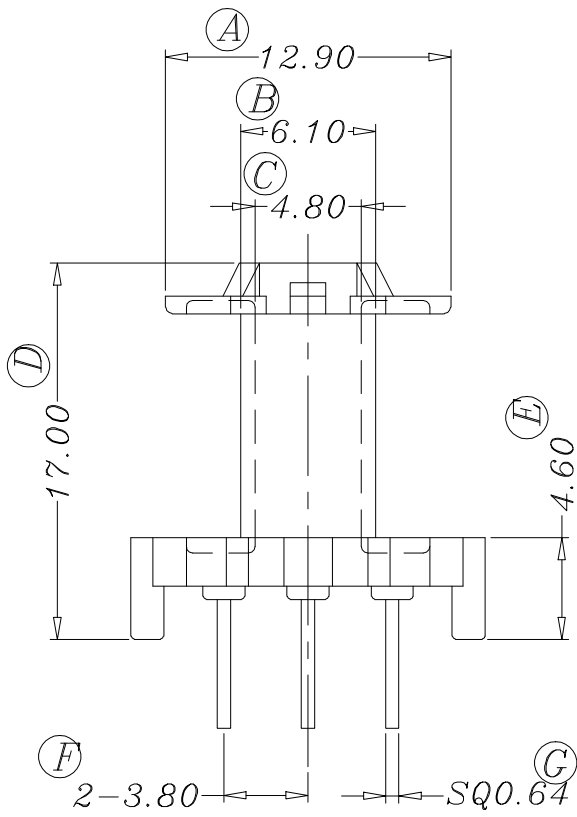


ZX-16AU



REV.	REVISIONS REC.		DATE	REV.	REVISIONS REC.		DATE
1				4			
2				5			
3				6			
DRAWN & DRAFTED BY		LIU WEI QIANG	TOLERANCES		ANGLE:	TITLE: EF-16(3+3P)	
CHECKED & APPROVED BY		MA BU JIAN	0 < L ≤ 4 ±0.1	pin pitch	±1°	BOBBIN MATERIAL: PLASTIC	
			4 < L ≤ 16 ±0.2	±0.2	UNIT:	UL REC.	UL 94V-0
			16 < L ≤ 63 ±0.3		MM	PIN TENSION LOAD: 1.0kg MIN.	
					SCALE:	PIN MATERIAL: CP WIRE	
						DATE: 2006.08.04	DRAWING NO. ZX-16AU
							REV. A01



智信电子塑胶有限公司
ZHI XIN ELECTRONICS PLASTIC CO., LTD.
 TEL:0769-86389901-2 FAX:0769-86389903