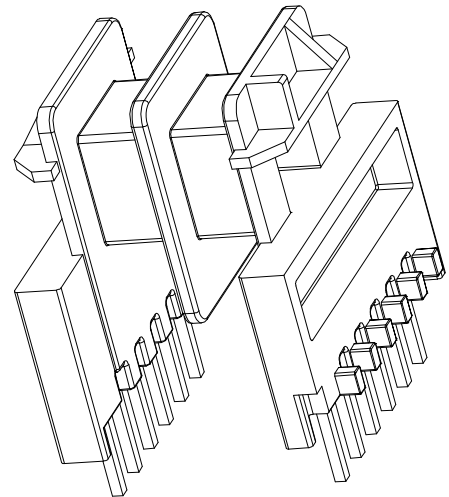
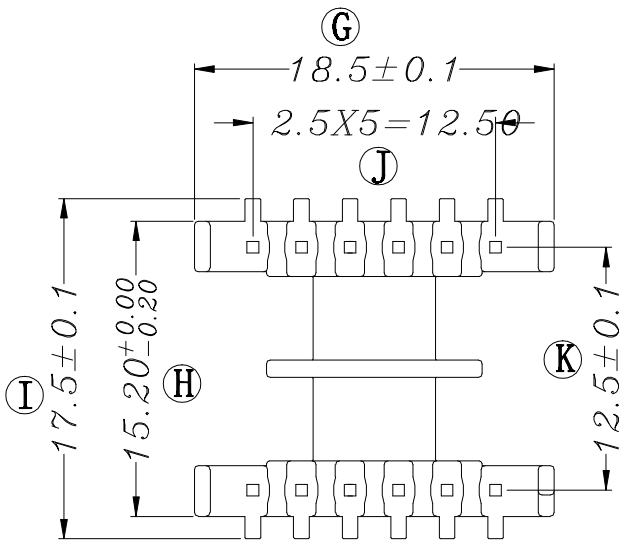
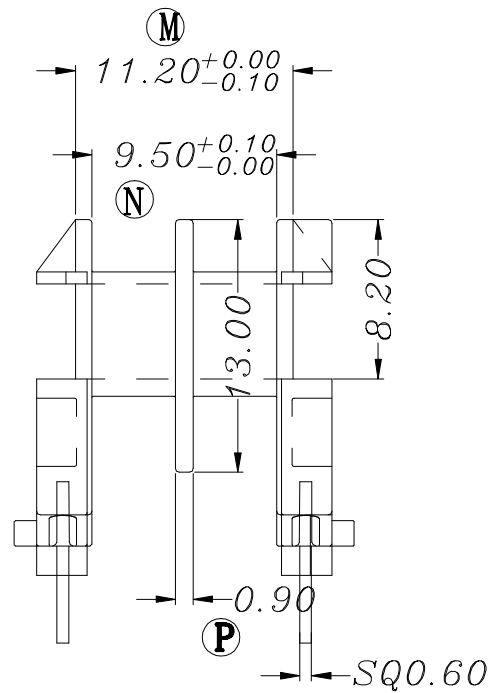
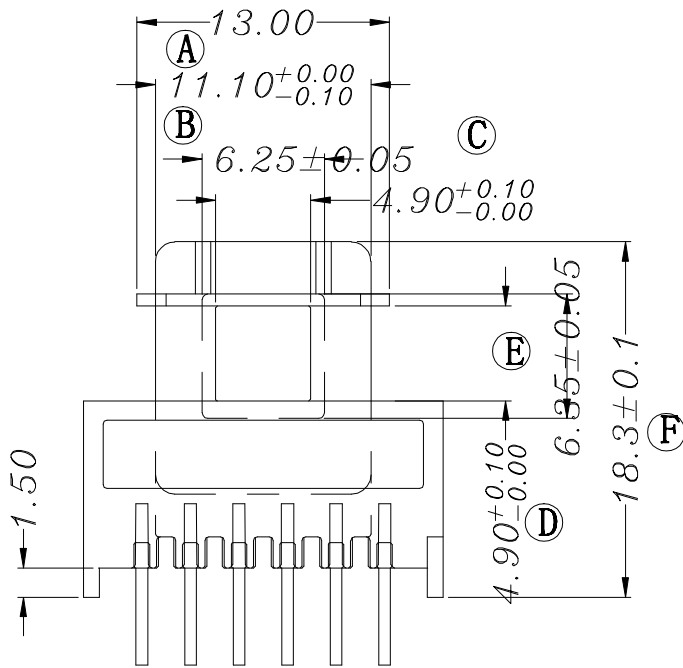


# ZX-16BB



REV.	REVISIONS REC.	DATE	REV.	REVISIONS REC.	DATE
1			4		
2			5		
3			6		
DRAWN & DRAFTED BY <b>LIU WEI QIANG</b>	TOLERANCES 0<L<4 ±0.1 pin pitch 4<L<16 ±0.2 16<L<63 ±0.3 ±0.2		ANGLE: ±1° UNIT: MM	TITLE: EF-16 (6+6P) 2S BOBBIN MATERIAL: PHENOLIC UL REC. UL 94V-0	
CHECKED & APPROVED BY <b>MA BU JIAN</b>	<b>智信电子塑胶有限公司</b> ZHI XIN ELECTRONICS PLASTIC CO., LTD. TEL: 0769-86389901-2 FAX: 0769-86389903		SCALE:	PIN MATERIAL: CP WIRE PIN TENSION 1.0KG MIN	
				DATE: 2011.04.05 DRAWING NO. ZX-16BB	REV. A01