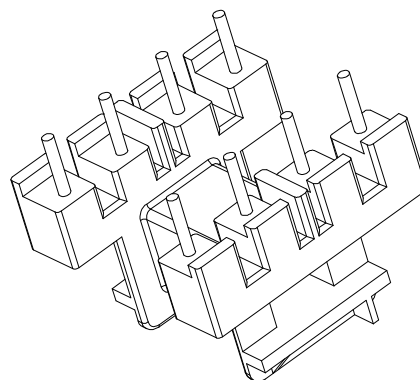
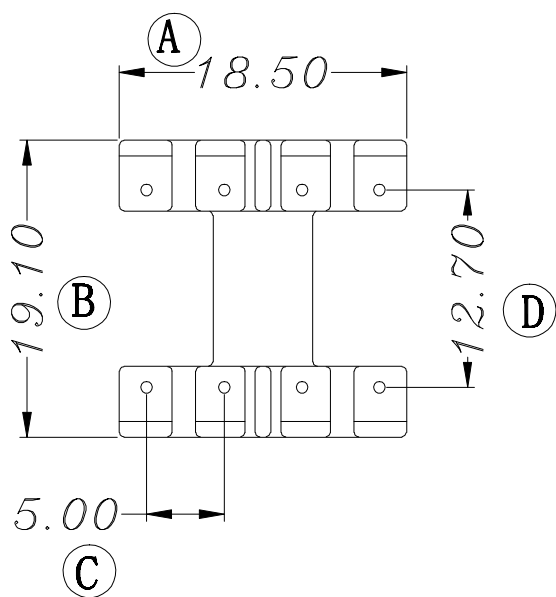
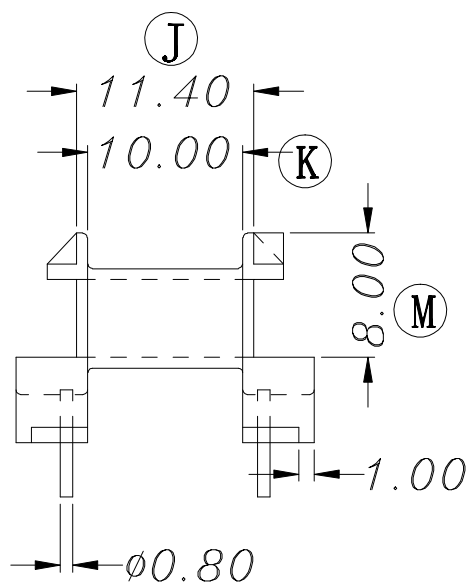
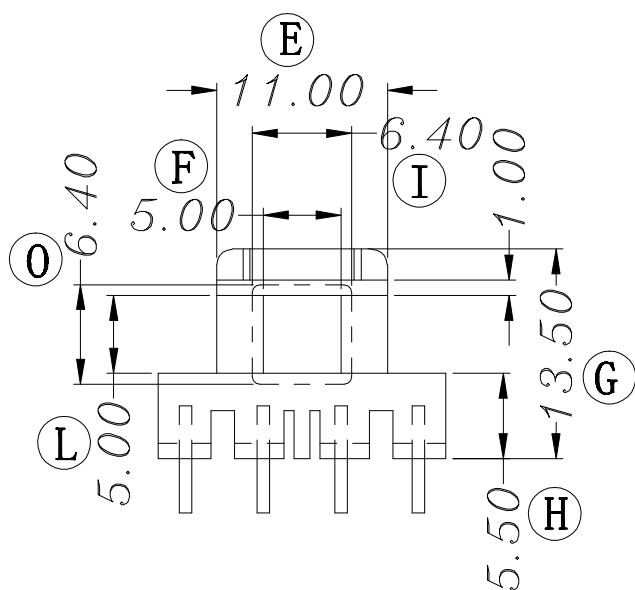


ZX-16BC



REV.	REVISIONS REC.	DATE	REV.	REVISIONS REC.	DATE
1			4		
2			5		
3			6		
DRAWN & DRAFTED LIU WEI QIANG	TOLERANCES 0<L<4 ±0.1 4<L<16 ±0.2 16<L<63 ±0.3	ANGLE: ±1° UNIT: MM	TITLE: EF-16 (4+4P)		
CHECKED & APPROVED BY MA BU JIAN		SCALE:	BOBBIN MATERIAL: PHENOLIC PIN MATERIAL: CP WIRE	UL REC. UL 94V-0 PIN TENSION 1.2KG MIN	
智信电子塑胶有限公司 ZHI XIN ELECTRONICS PLASTIC CO., LTD. TEL: 0769-86389901-2 FAX: 0769-86389903			DATE: 2011.07.03	DRAWING NO. ZX-16BC	REV. A01