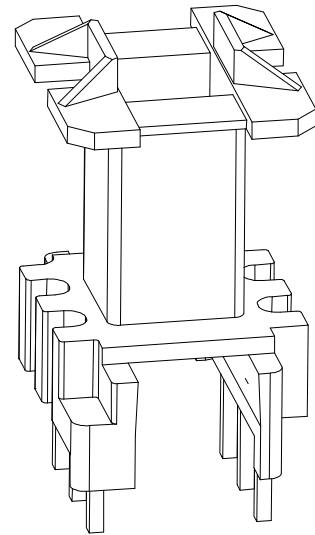
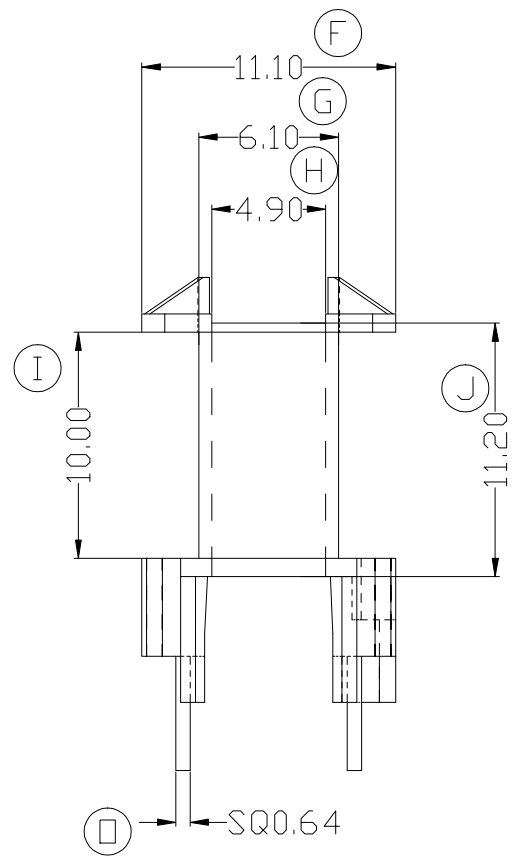
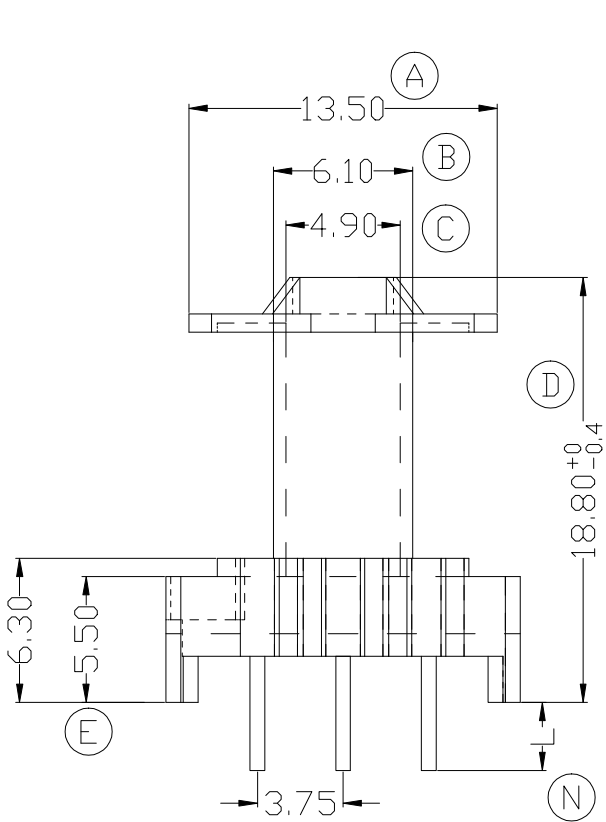


ZX-16BH

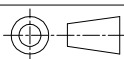


REV.	REVISIONS REC.		DATE	REV.	REVISIONS REC.		DATE
1				4			
2				5			
3				6			
DRAWN & DRAFTED BY		LIU WEI QIANG		TOLERANCES		ANGLE: ±1°	
CHECKED & APPROVED BY		LI JUN		0 < L ≤ 4 ±0.1		TITLE: EF-16(3+3P)	
				4 < L ≤ 16 ±0.2		BOBBIN MATERIAL: PET	
				16 < L ≤ 63 ±0.3		UL REC. UL 94V-0	
				pin pitch ±0.2		PIN MATERIAL: CP WIRE	
				UNIT: MM		PIN TENSION LOAD: 1.0KG MIN	
				SCALE:		DATE: 2016.03.08	
				DRAWING NO. ZX-16BH		REV. A01	



智信电子塑胶有限公司

ZHI XIN ELECTRONICS PLASTIC CO., LTD.
TEL:0769-86389901-2 FAX:0769-86389903



DATE: 2016.03.08

DRAWING NO.

ZX-16BH

REV. A01