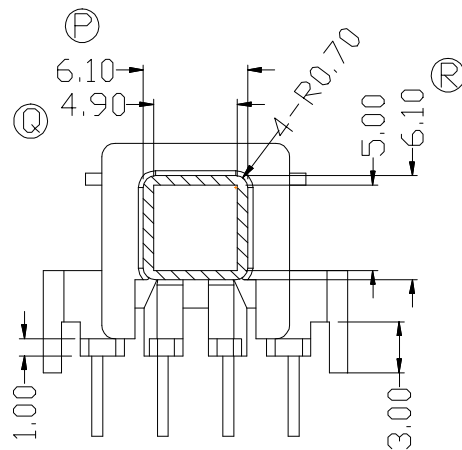
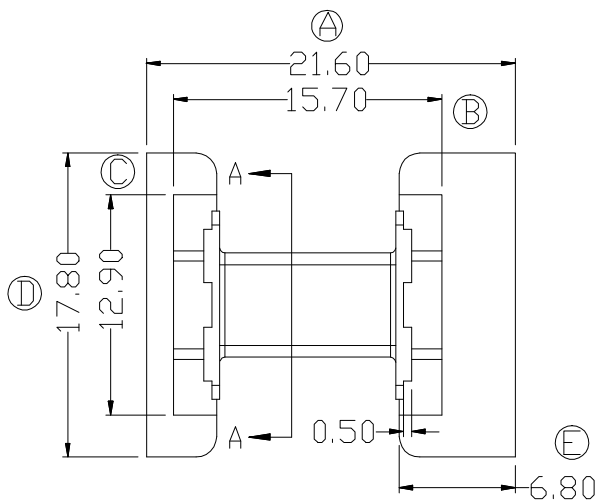
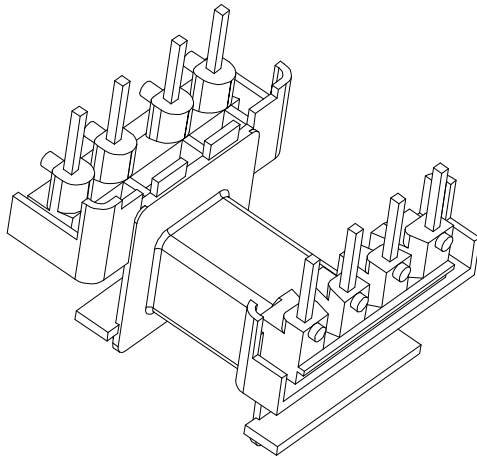
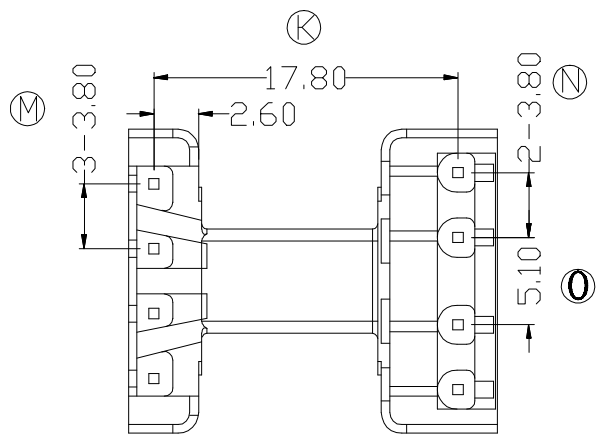
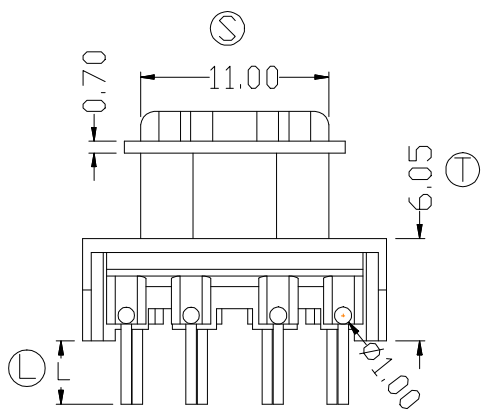
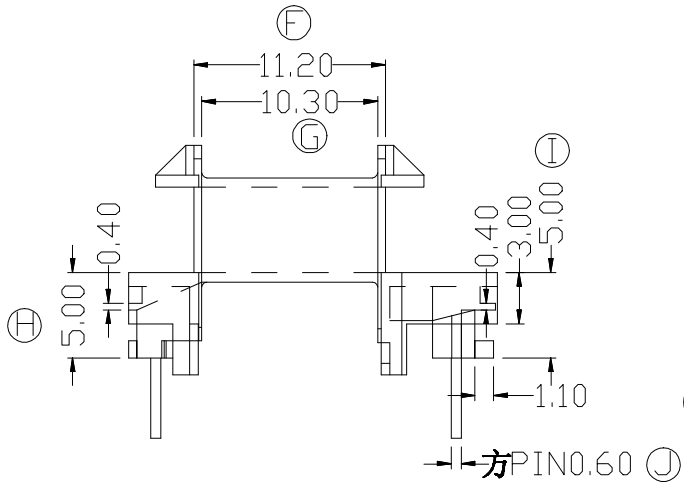



ZX-16BR



SECTION A-A



REV.	REVISIONS	REC.	DATE	REV.	REVISIONS	REC.	DATE
1				4			
2				5			
3				6			

DRAWN & DRAFTED BY	LIU WEI QIANG	TOLERANCES		ANGLE:	TITLE: EF-16(4+4P)		
		0<L≤4 ±0.1	pin pitch ±0.2	±1°	BOBBIN MATERIAL: PLASTIC		UL REC. UL 94V-0
CHECKED & APPROVED BY	ZHANG YONG	4<L≤16 ±0.2		UNIT:	MM	PIN MATERIAL: CP WIRE	
 智信电子塑胶有限公司 ZHI XIN ELECTRONICS PLASTIC CO., LTD. TEL:0769-86389901-2 FAX:0769-86389903				SCALE:	DATE: 2018.12.08	DRAWING NO. ZX-16BR	REV. A01