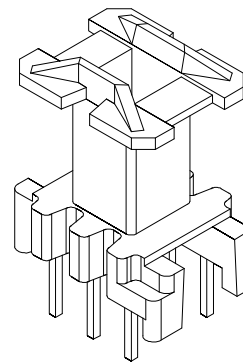
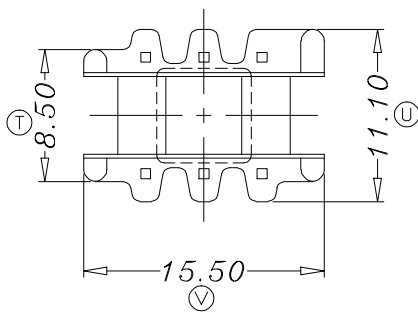
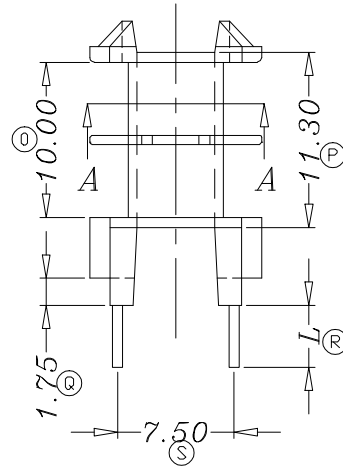
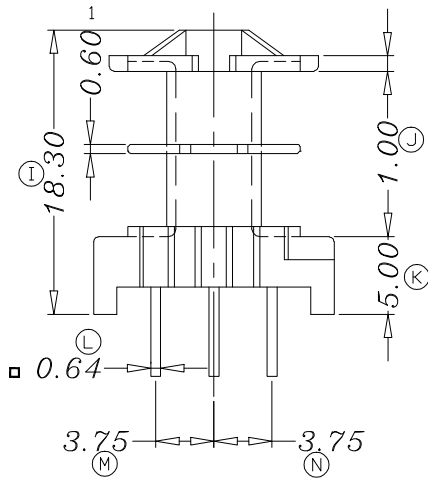


SEC A-A

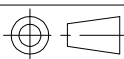


REV.	REVISIONS	REC.	DATE	REV.	REVISIONS	REC.	DATE
1				4			
2				5			
3				6			
DRAWN & DRAFTED BY		LIU WEI QIANG		TOLERANCES		ANGLE: $\pm 1^\circ$	
CHECKED & APPROVED BY		MA BU JIAN		$0 < L \leq 4 \pm 0.1$ $4 < L \leq 16 \pm 0.2$ $16 < L \leq 63 \pm 0.3$		pin pitch ± 0.2 UNIT: MM SCALE:	
TITLE: EF-16(3+3P)2S				BOBBIN MATERIAL: PET		UL REC. UL 94V-0	
DATE: 2013.06.04				PIN MATERIAL: CP WIRE		PIN TENSION LOAD: 1.0KG MIN	
DRAWING NO. ZX-1611				REV. A01			



智信电子塑胶有限公司

ZHI XIN ELECTRONICS PLASTIC CO., LTD.
 TEL:0769-86389901-2 FAX:0769-86389903



DATE: 2013.06.04

DRAWING NO.

ZX-1611

REV. A01