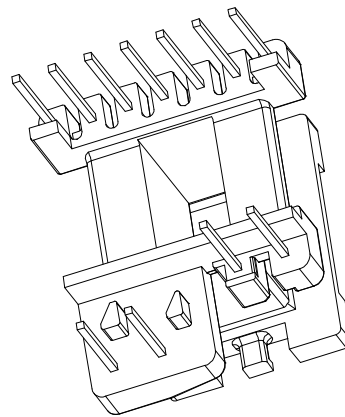
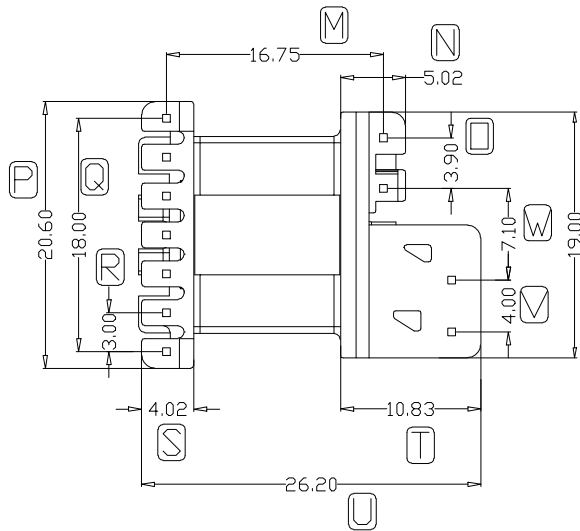
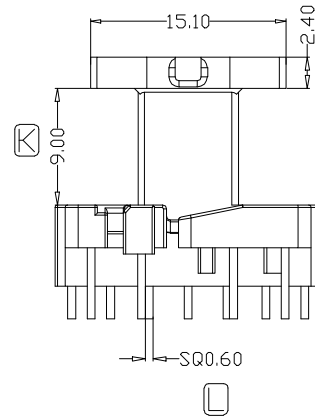
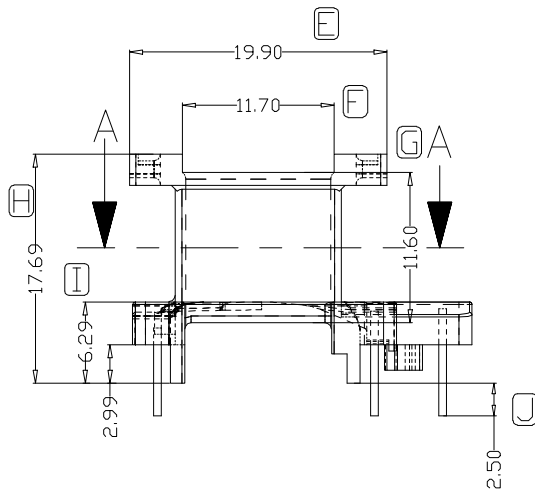
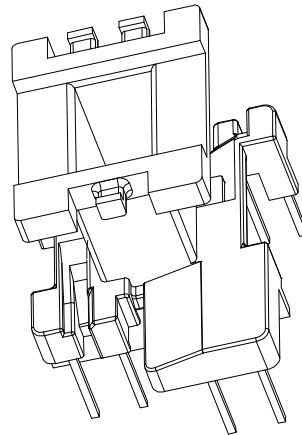
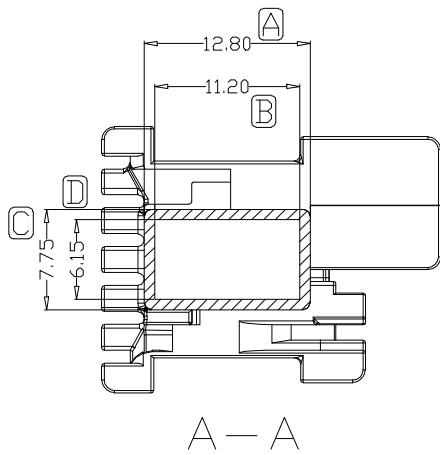


ZX-19AW



REV.	REVISIONS	REC.	DATE	REV.	REVISIONS	REC.	DATE
1				4			
2				5			
3				6			
DRAWN & DRAFTED	LIU WEI QIANG	TOLERANCES		ANGLE:	TITLE: EF-19 (2+2+7P)		
CHECKED & APPROVED BY	MA BU JIAN	0<L<4 ±0.1	pin pitch	±1°	BOBBIN MATERIAL:	PHENOLIC	UL REC. UL 94V-0
		4<L<16 ±0.2		UNIT: MM	PIN MATERIAL:	CP WIRE	PIN TENSION LOAD: 1.0KG MIN
		16<L<63 ±0.3	±0.2	SCALE:	DATE:	DRAWING NO. ZX-19AW	REV. A01
智信电子塑胶有限公司 ZHI XIN ELECTRONICS PLASTIC CO., LTD. TEL: 0769-86389901-2 FAX: 0769-86389903				2017.04.05			