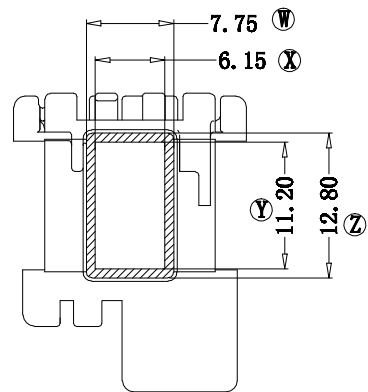
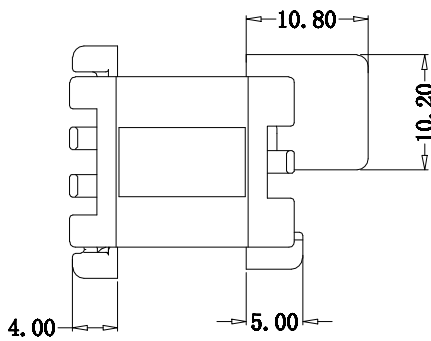
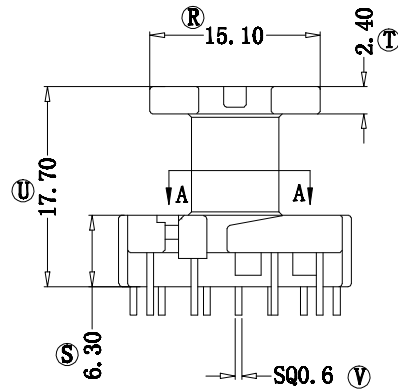
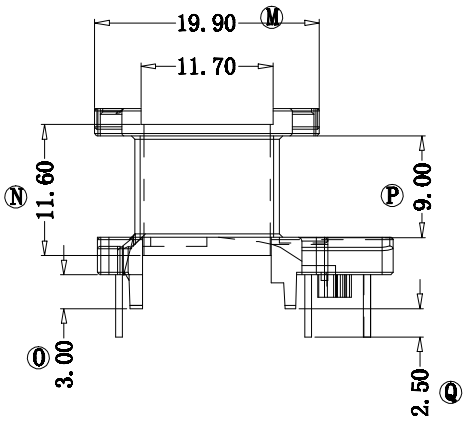
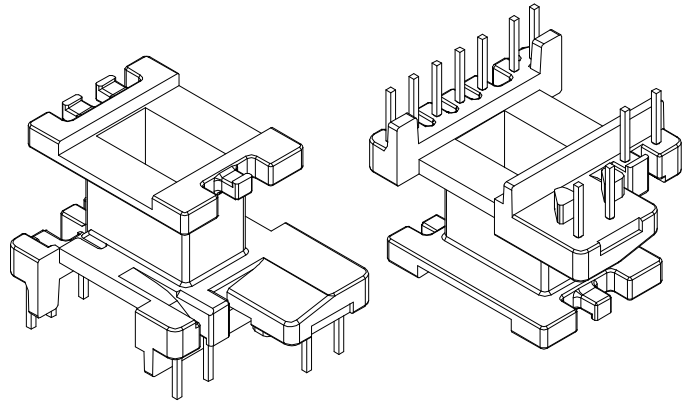
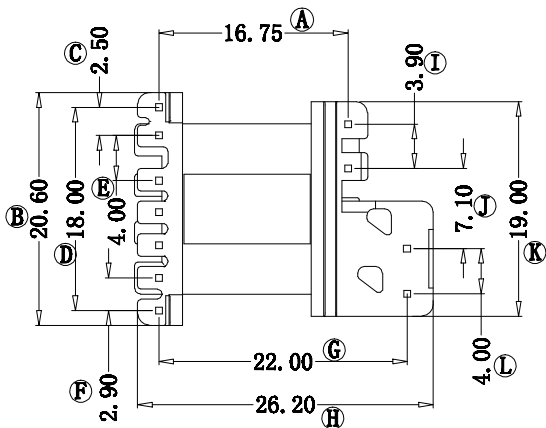


ZX-19AW1



SECTION A-A

REV.	REVISIONS REC.	DATE	REV.	REVISIONS REC.	DATE
1			4		
2			5		
3			6		
DRAWN & DRAFTED BY		TOLERANCES		TITLE: EF-19 (2+2+7P)	
CHECKED & APPROVED BY		ANGLE: ±1°		BOBBIN MATERIAL: PHENOLIC	
CHEN LING		UNIT: MM		UL REC. UL 94V-0	
		SCALE:		PIN MATERIAL: CP WIRE	
智信电子塑胶有限公司		DATE: 2017.07.25		DRAWING NO. ZX-19AW1	
ZHI XIN ELECTRONICS PLASTIC CO., LTD.		REV. A02		PIN TENSION LOAD: 1.0KG MIN	
TEL:0769-86389901-2 FAX:0769-86389903					