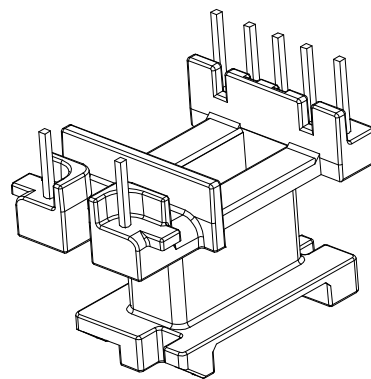
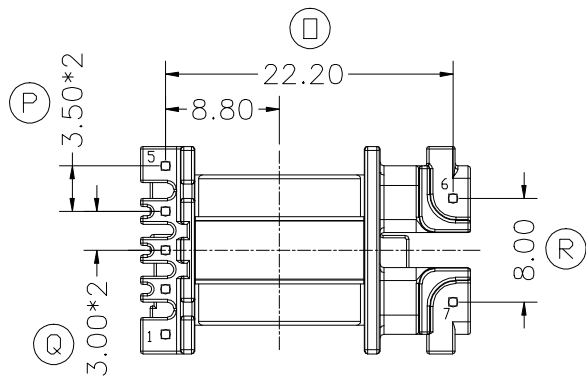
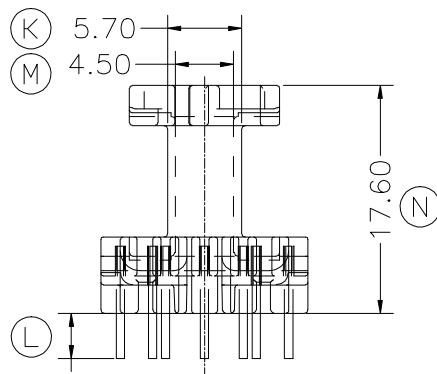
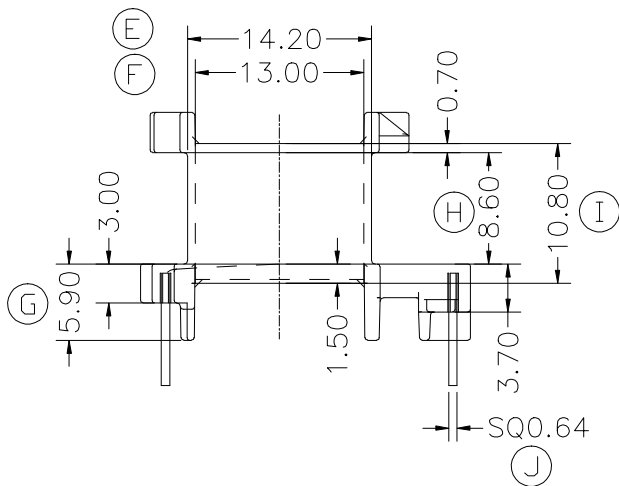
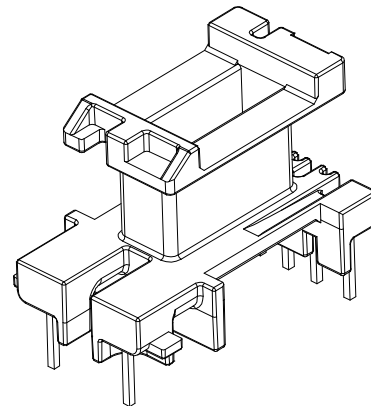
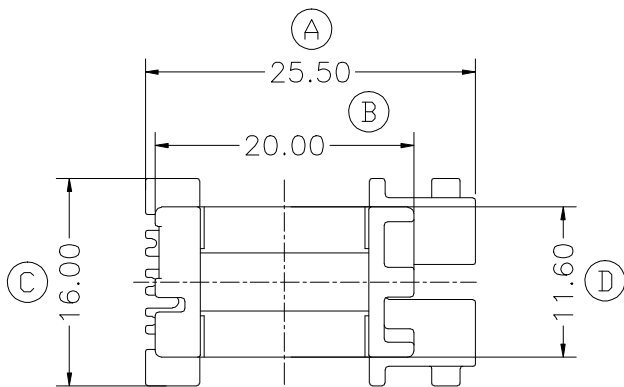


# ZX-19BA



REV.	REVISIONS REC.	DATE	REV.	REVISIONS REC.	DATE
1			4		
2			5		
3			6		
DRAWN & DRAFTED BY <b>LIU WEI QIANG</b>	TOLERANCES 0<L<4 ±0.1 pin pitch 4<L<16 ±0.2 16<L<63 ±0.3 ±0.2		ANGLE: ±1° UNIT: MM	TITLE: EF-19 (5+2P)	
CHECKED & APPROVED BY <b>MA BU JIAN</b>			SCALE:	BOBBIN MATERIAL: PHENOLIC PIN MATERIAL: CP WIRE	UL REC. UL 94V-0 PIN TENSION LOAD: 0.8KG MIN
<b>智信电子塑胶有限公司</b> ZHI XIN ELECTRONICS PLASTIC CO., LTD. TEL:0769-86389901-2 FAX:0769-86389903			DATE: 2017.06.21	DRAWING NO. ZX-19BA	REV. A01