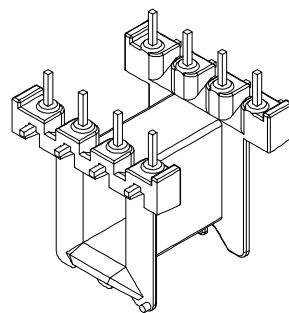
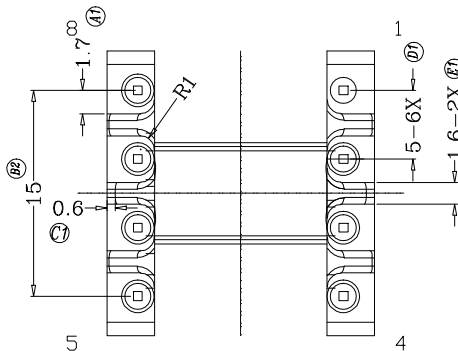
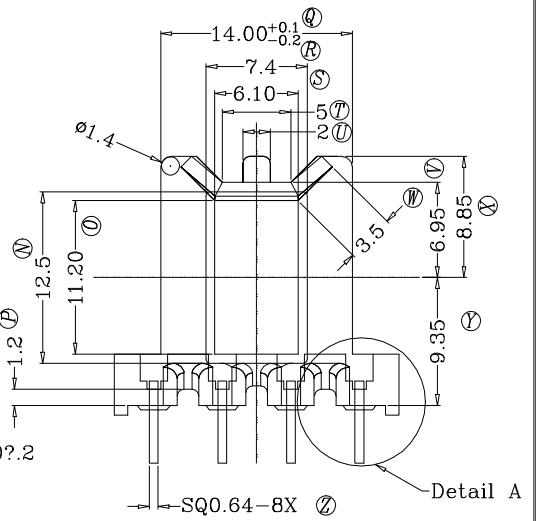
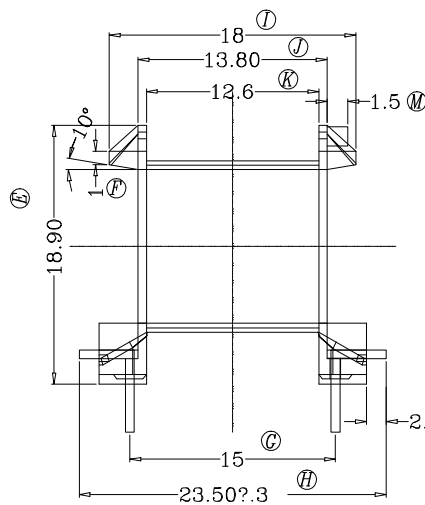
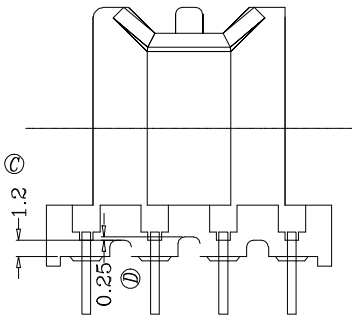
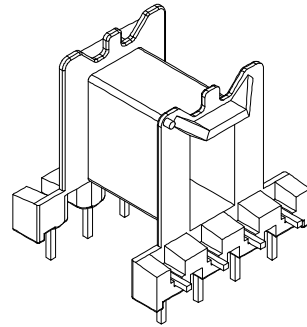
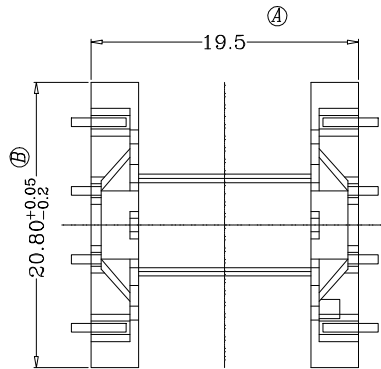




ZX-20AK1



REV.	REVISIONS REC.		DATE	REV.	REVISIONS REC.		DATE	
1				4				
2				5				
3				6				
DRAWN & DRAFTED BY		LIU WEI QIANG	TOLERANCES		ANGLE: ±1°			TITLE: EF-20(4+4P)
CHECKED & APPROVED BY		MA BU JIAN	0 < L ≤ 4 ±0.1 4 < L ≤ 16 ±0.2 16 < L ≤ 63 ±0.3		UNIT: MM		BOBBIN MATERIAL: FR530	UL REC. UL 94V-0
			pin pitch ±0.2		SCALE:		PIN MATERIAL: CP WIRE	PIN TENSION LOAD: 1.0KG MIN
 智信电子塑胶有限公司 ZHI XIN ELECTRONICS PLASTIC CO., LTD. TEL:0769-86389901-2 FAX:0769-86389903		 DATE: 2009.12.05		DRAWING NO. ZX-20AK1		REV. A01		