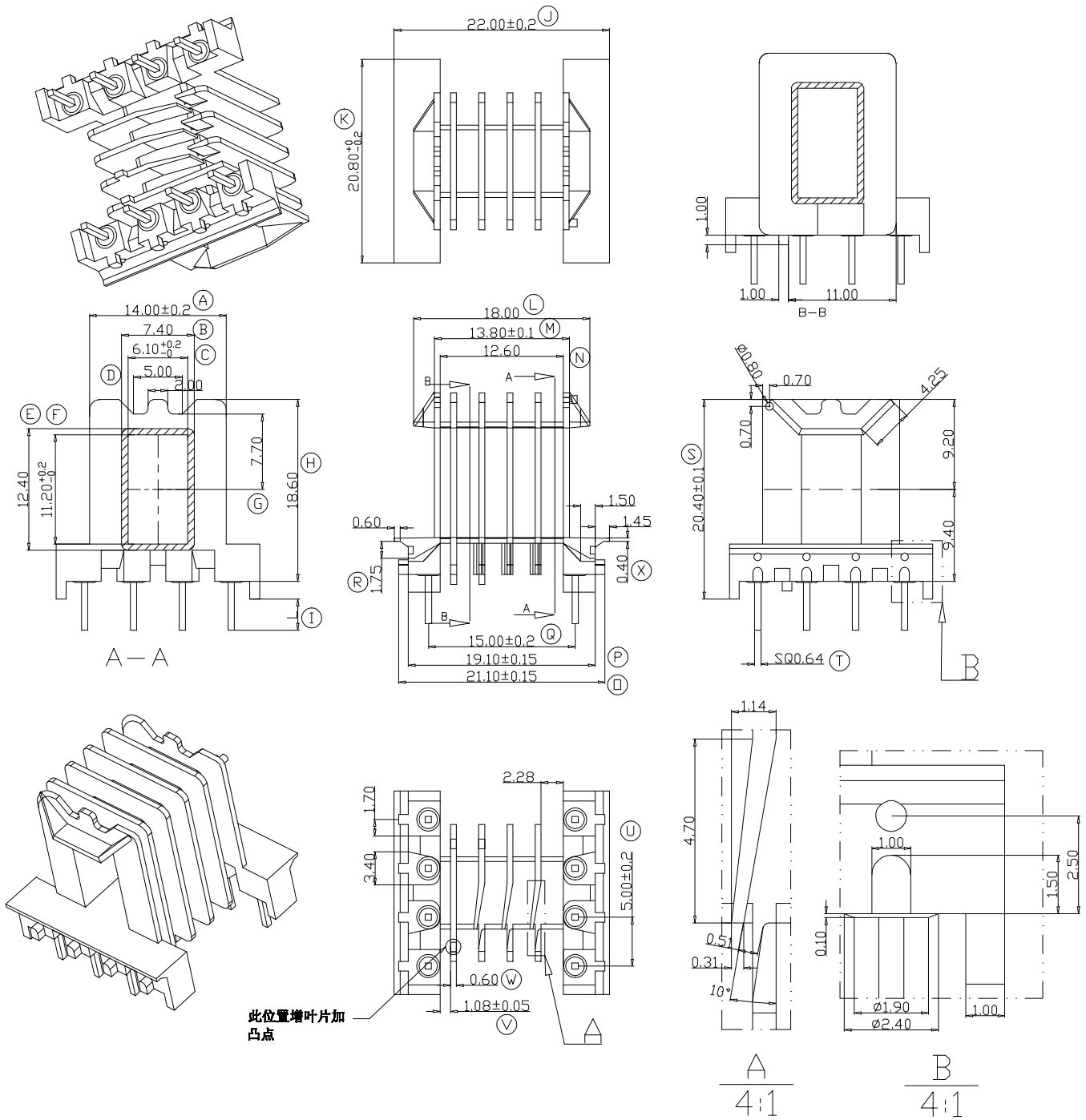


ZX-20AQ



REV.	REVISIONS REC.		DATE	REV.	REVISIONS REC.		DATE
1	叶片增加凸点 日期		2014.05.12	4			
2				5			
3				6			
DRAWN & DRAFTED BY	LIU WEI QIANG		TOLERANCES	ANGLE:	TITLE: EF-20(4+4P)5S		
CHECKED & APPROVED BY	LI JUN		0<L≤4 ±0.1 4<L≤16 ±0.2 16<L≤63 ±0.3	pin pitch ±0.2	UNIT:	BOBBIN MATERIAL: FR530	UL REC. UL 94V-0
智信电子塑胶有限公司				SCALE:	PIN MATERIAL: CP WIRE	PIN TENSION LOAD: 1.2kg MIN.	
ZHI XIN ELECTRONICS PLASTIC CO., LTD.				DATE: 2004.09.14	DRAWING NO. ZX-20AQ	REV. A01	
TEL:0769-86389901-2 FAX:0769-86389903							