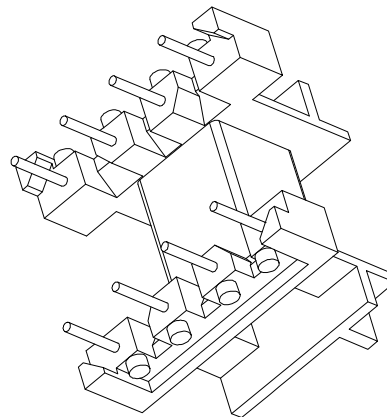
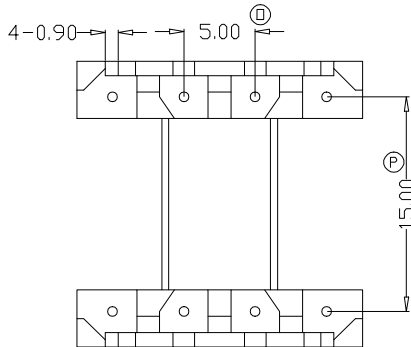
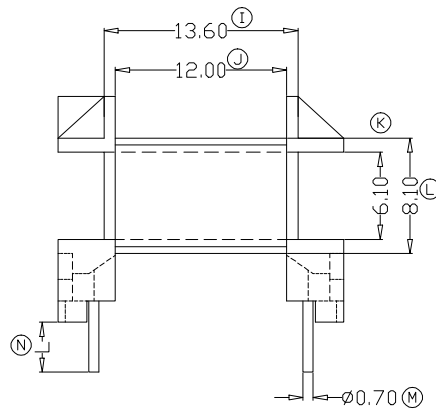
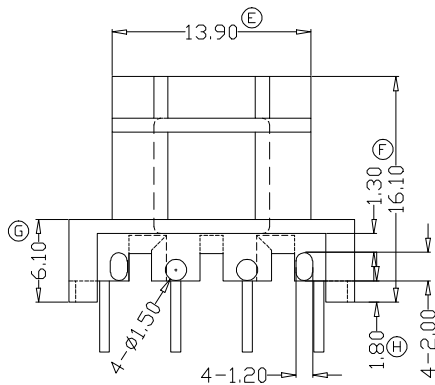
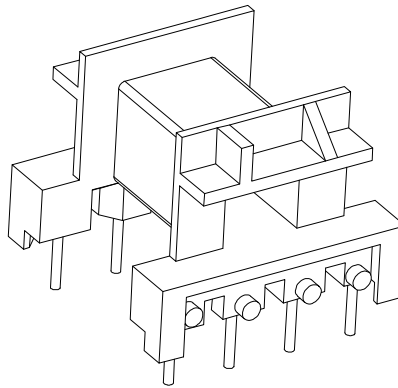
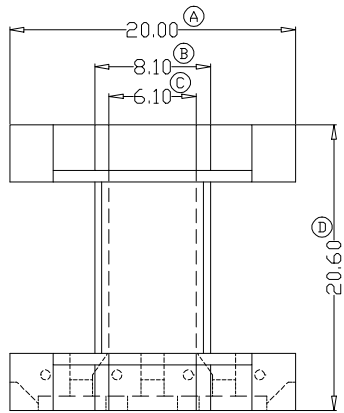


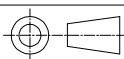
ZX-20AT1



REV.	REVISIONS	REC.	DATE	REV.	REVISIONS	REC.	DATE
1	Ⓓ 此尺寸已之前的20.0变更为20.6		2014.06.17	4	Ⓔ 此尺寸已之前的15.8变更为16.1		
2	Ⓗ 此尺寸已之前的1.50变更为1.80		2014.06.17	5			
3	增加外围4个凸点		2014.06.17	6			
DRAWN & DRAFTED BY		LIU WEI QIANG		TOLERANCES		ANGLE: $\pm 1^\circ$	
CHECKED & APPROVED BY		MA BU JIAN		pin pitch		TITLE: EF-20(4+4P)	
		0 < L ≤ 4 ±0.1		4 < L ≤ 16 ±0.2		BOBBIN MATERIAL: PHENOLIC	
		16 < L ≤ 63 ±0.3		±0.2		UL REC. UL 94V-0	
				UNIT: MM		PIN MATERIAL: CP WIRE	
				SCALE:		PIN TENSION LOAD: 1.0kg MIN.	
				DATE: 2013.05.14		DRAWING NO. ZX-20AT1	
				REV. A01			



智信电子塑胶有限公司
 ZHI XIN ELECTRONICS PLASTIC CO., LTD.
 TEL:0769-86389901-2 FAX:0769-86389903



DATE: 2013.05.14

DRAWING NO. ZX-20AT1

REV. A01