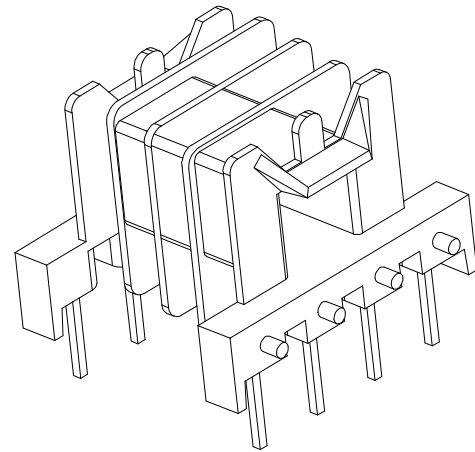
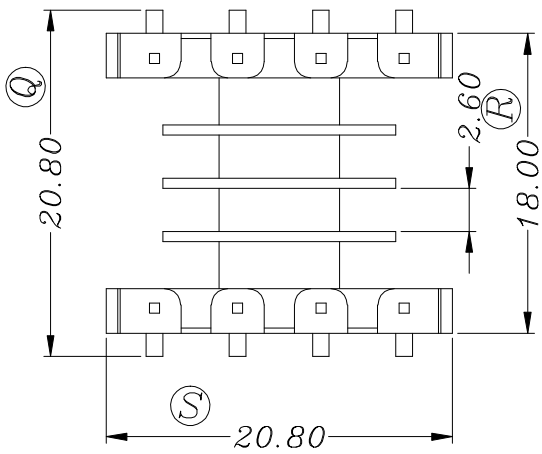
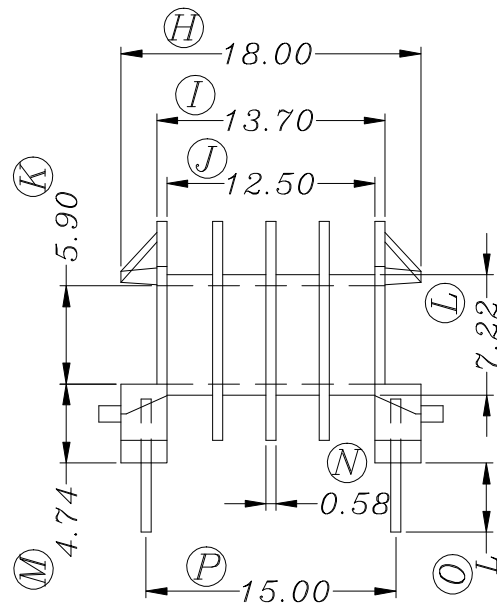
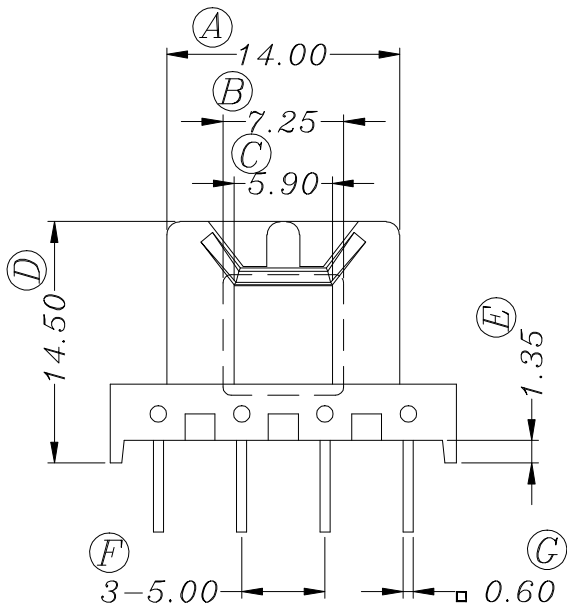


ZX-20BD

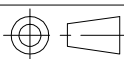


REV.	REVISIONS REC.		DATE	REV.	REVISIONS REC.		DATE
1				4			
2				5			
3				6			
DRAWN & DRAFTED BY		LIU WEI QIANG		TOLERANCES		ANGLE: $\pm 1^\circ$	
CHECKED & APPROVED BY		MA BU JIAN		$0 < L \leq 4 \pm 0.1$ $4 < L \leq 16 \pm 0.2$ $16 < L \leq 63 \pm 0.3$		UNIT: MM SCALE:	
TITLE:		EF-20 (4+4P) 4S		BOBBIN MATERIAL:		PLASTIC	
PIN MATERIAL:		CP WIRE		UL REC.		UL 94V-0	
DATE:		2011.03.12		DRAWING NO.		ZX-20BD	
REV. A01				PIN TENSION LOAD:		1.0KG MIN	



智信电子塑胶有限公司

ZHI XIN ELECTRONICS PLASTIC CO., LTD.
 TEL:0769-86389901-2 FAX:0769-86389903



DATE: 2011.03.12

DRAWING NO. ZX-20BD

REV. A01