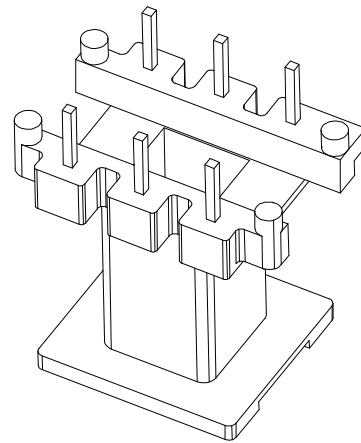
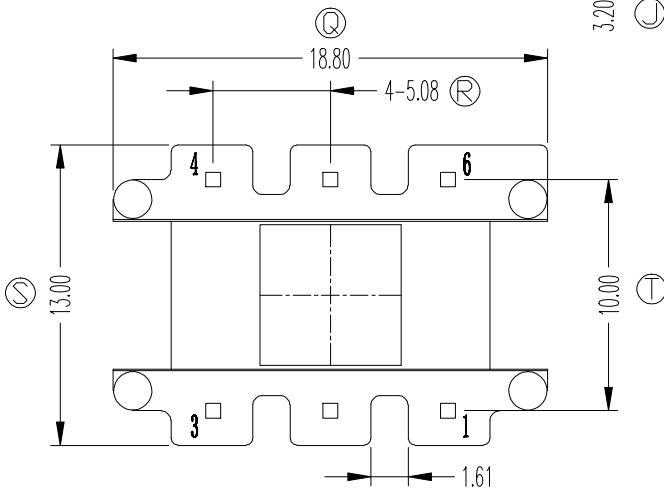
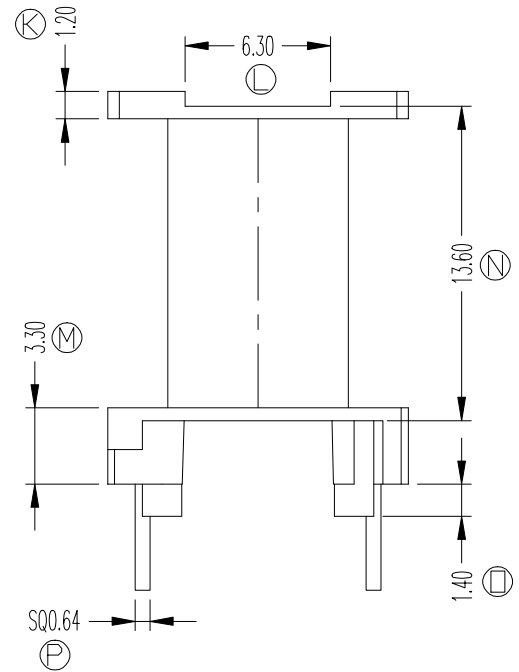
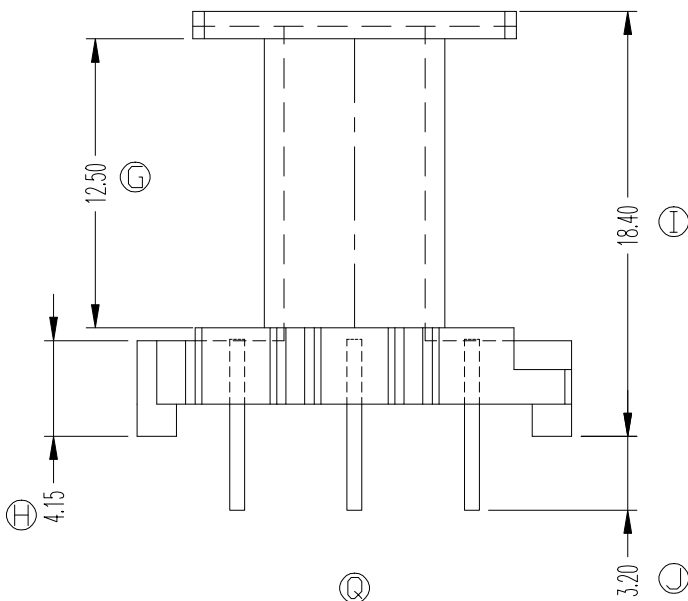
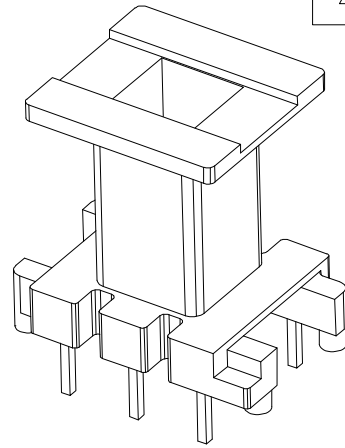
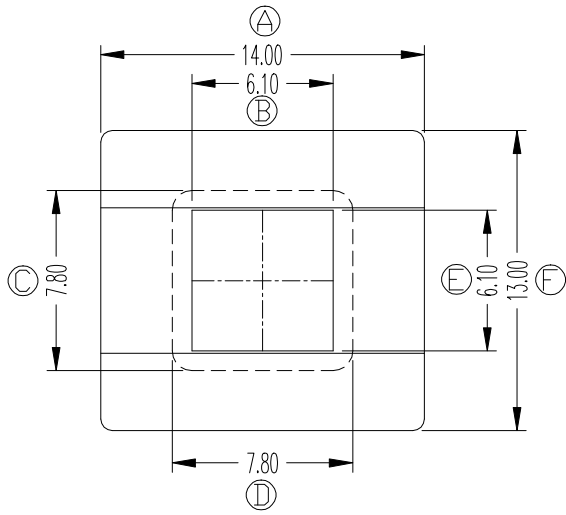


ZX-20B0



REV.	REVISIONS REC.		DATE	REV.	REVISIONS REC.		DATE
1				4			
2				5			
3				6			
DRAWN & DRAFTED BY	LIU WEI QIANG	TOLERANCES		ANGLE:	TITLE: <i>EF-20(3+3P)</i>		
CHECKED & APPROVED BY	ZHANG YONG	0<L≤4 ±0.1	pin pitch ±0.2	UNIT:	BOBBIN MATERIAL: <i>PHENOLIC</i>	UL REC. UL 94V-0	
		4<L≤16 ±0.2		MM	PIN MATERIAL: <i>CP WIRE</i>	PIN TENSION LOAD: 1.0KG MIN	
		16<L≤63 ±0.3		SCALE:	DATE: 2018.09.04	DRAWING NO. <i>ZX-20B0</i>	REV. A01
智信电子塑胶有限公司 ZHI XIN ELECTRONIC PLASTIC CO., LTD. TEL:0769-86389901-2 FAX:0769-86389903							