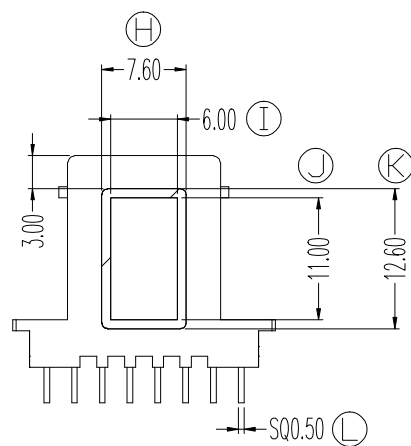
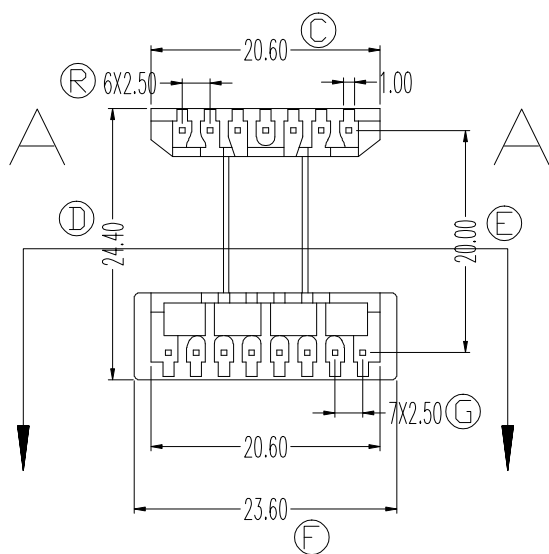
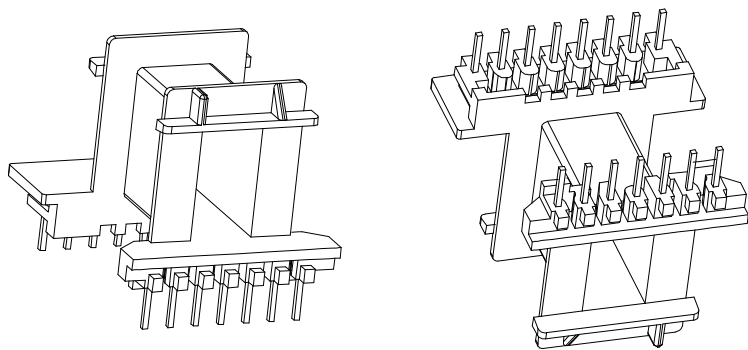
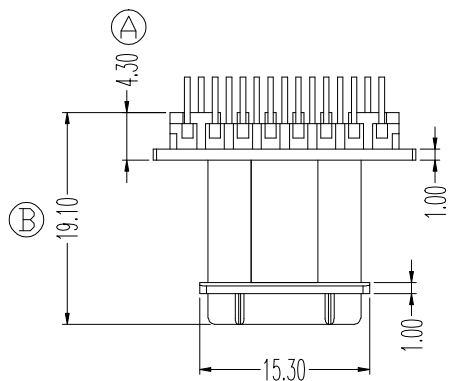
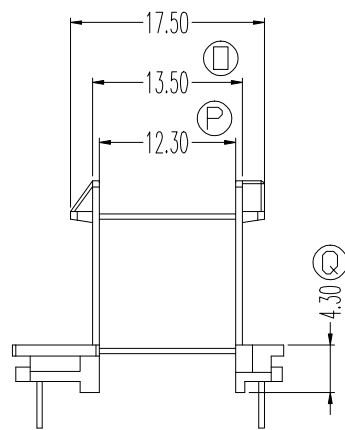
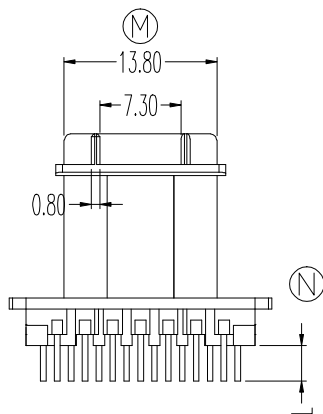


ZX-20BU



SECTION A-A

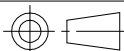


REV.	REVISIONS REC.		DATE	REV.	REVISIONS REC.		DATE
1				4			
2				5			
3				6			
DRAWN & DRAFTED BY		LIU WEI QIANG		TOLERANCES		ANGLE: $\pm 1^\circ$	
CHECKED & APPROVED BY		ZHANG YONG		$0 < L \leq 4 \pm 0.1$ $4 < L \leq 16 \pm 0.2$ $16 < L \leq 63 \pm 0.3$		pin pitch ± 0.2 UNIT: MM SCALE:	
TITLE:		EF-20(8+7P)		BOBBIN MATERIAL:		PM-9820	
PIN MATERIAL:		CP WIRE		UL REC.		UL 94V-0	
DATE:		2016.01.19		DRAWING NO.		ZX-20BU	
REV. A01				PIN TENSION LOAD:		1.0KG MIN	



智信电子塑胶有限公司

ZHI XIN ELECTRONICS PLASTIC CO., LTD.
 TEL:0769-86389901-2 FAX:0769-86389903



DATE: 2016.01.19

DRAWING NO. ZX-20BU

REV. A01