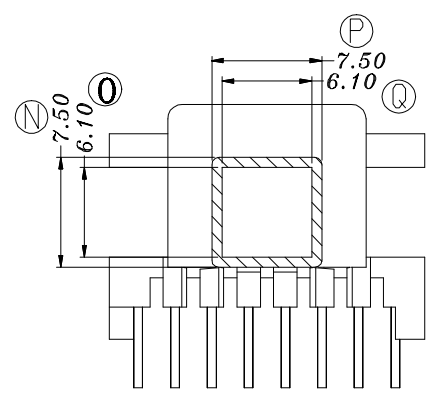
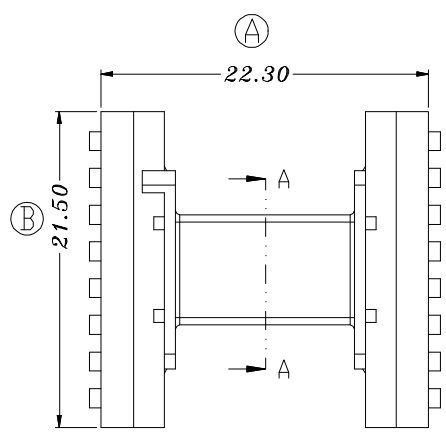
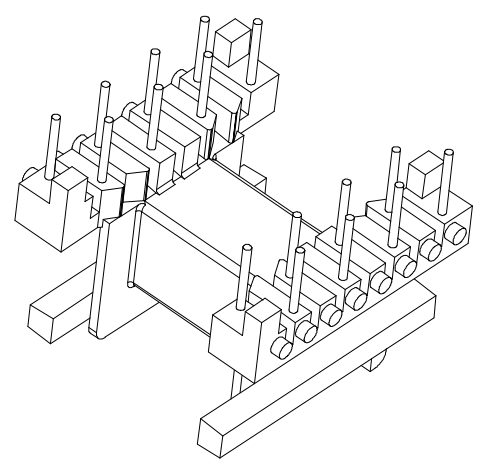
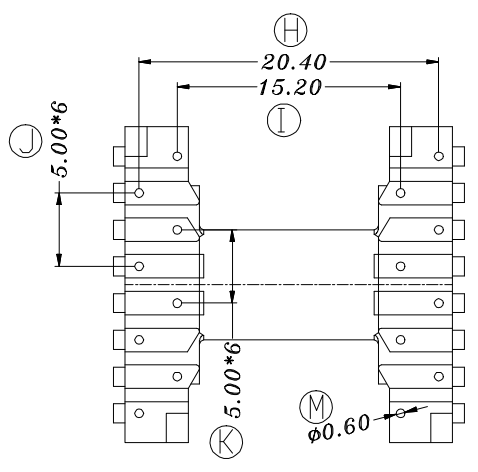
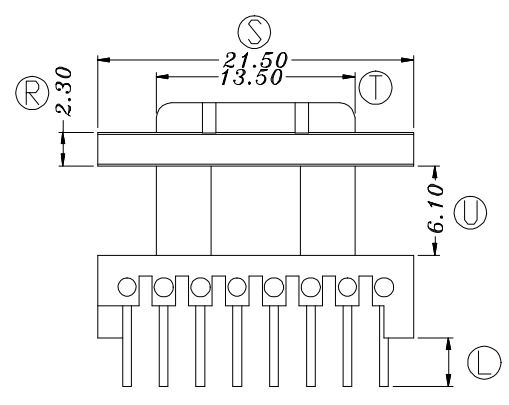
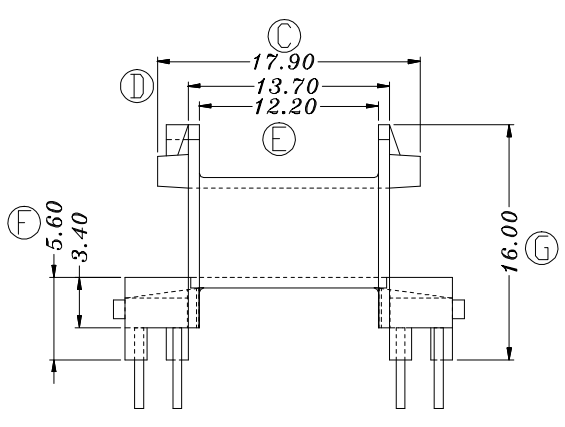


ZX-20BY



SECTION A-A



REV.	REVISIONS	REC.	DATE	REV.	REVISIONS	REC.	DATE
1				4			
2				5			
3				6			
DRAWN & DRAFTED BY		LIU WEI QIANG		TOLERANCES		ANGLE: $\pm 1^\circ$	
CHECKED & APPROVED BY		ZHANG YONG		$0 < L \leq 4 \pm 0.1$ $4 < L \leq 16 \pm 0.2$ $16 < L \leq 63 \pm 0.3$		pin pitch $\pm 0.2$ TITLE: EF-20(8+8P)	
ZXE 智信电子塑胶有限公司 ZHI XIN ELECTRONICS PLASTIC CO., LTD. TEL:0769-86389901-2 FAX:0769-86389903				UNIT: MM		BOBBIN MATERIAL: PHENOLIC	
				SCALE:		UL REC. UL 94V-0	
				DATE: 2018.12.08		PIN MATERIAL: CP WIRE	
				DRAWING NO. ZX-20BY		PIN TENSION LOAD: 1.0KG MIN	
				REV. A01			