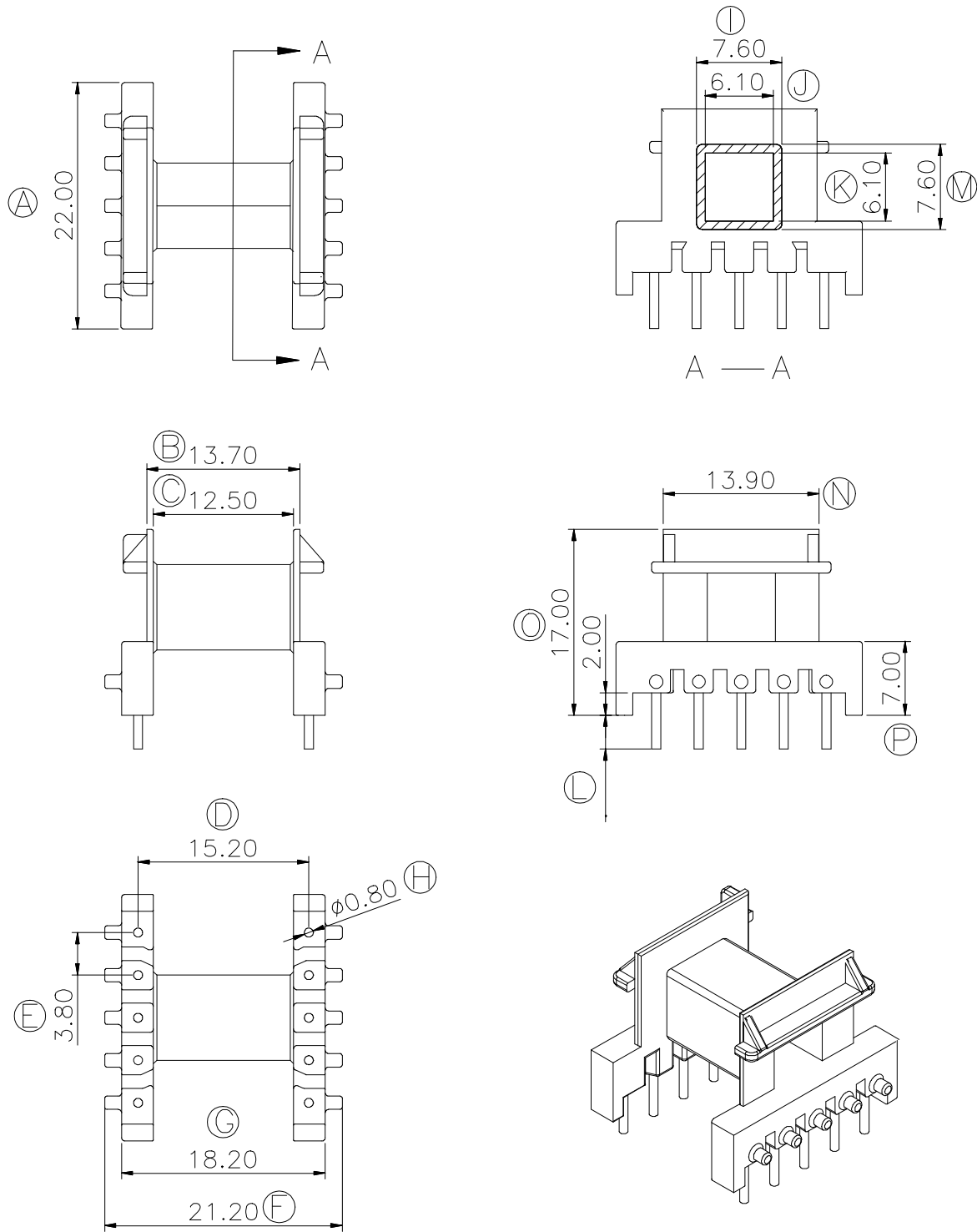


ZX-20BZ



REV.	REVISIONS	REC.	DATE	REV.	REVISIONS	REC.	DATE		
1				4					
2				5					
3				6					
DRAWN & DRAFTED BY		LIU WEI QIANG		TOLERANCES		ANGLE: $\pm 1^\circ$		TITLE: EF-20(5+5P)	
CHECKED & APPROVED BY		ZHANG YONG		$0 < L \leq 4 \pm 0.1$ $4 < L \leq 16 \pm 0.2$ $16 < L \leq 63 \pm 0.3$		pin pitch ± 0.2		UNIT: MM	
				SCALE:		BOBBIN MATERIAL: PHENOLIC		UL REC. UL 94V-0	
						PIN MATERIAL: CP WIRE		PIN TENSION LOAD: 1.2KG MIN	
		智信电子塑胶有限公司 ZHI XIN ELECTRONICS PLASTIC CO., LTD. TEL:0769-86389901-2 FAX:0769-86389903				DATE: 2018.12.08		DRAWING NO. ZX-20BZ	
								REV. A01	