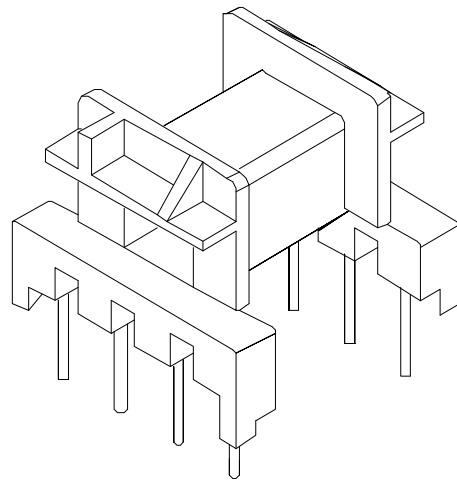
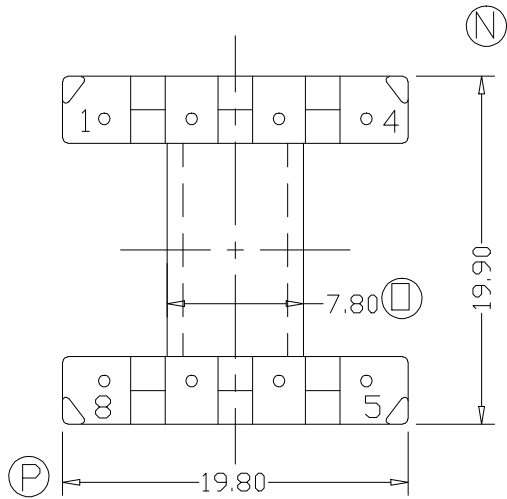
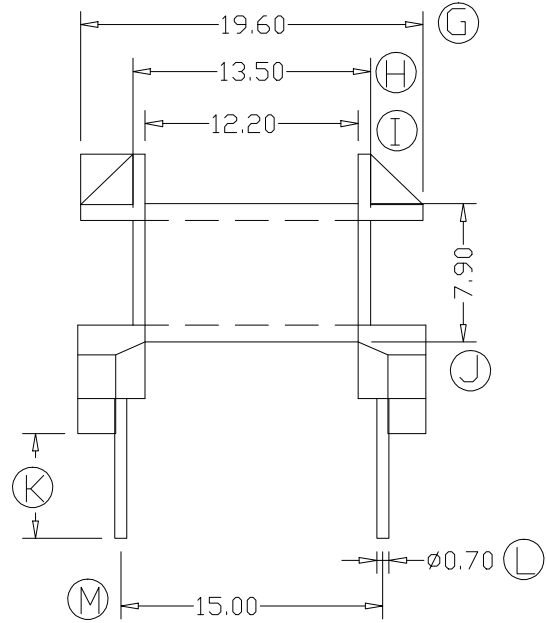
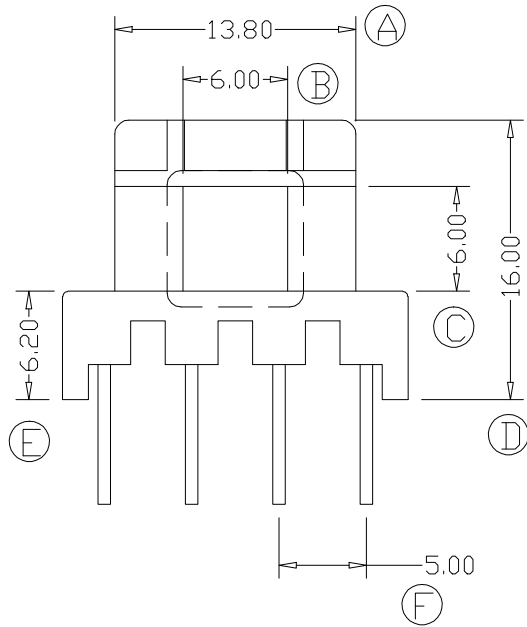


# ZX-20C



REV.	REVISIONS	REC.	DATE	REV.	REVISIONS	REC.	DATE
1				4			
2				5			
3				6			
DRAWN & DRAFTED BY		LIU WEI QIANG		TOLERANCES		ANGLE: $\pm 1^\circ$	
CHECKED & APPROVED BY		MA BU JIAN		$0 < L \leq 4 \pm 0.1$ $4 < L \leq 16 \pm 0.2$ $16 < L \leq 63 \pm 0.3$		pin pitch $\pm 0.2$ UNIT: MM SCALE:	
TITLE: EF-20(4+4P)				BOBBIN MATERIAL: PHENOLIC		UL REC. UL 94V-0	
DATE: 2010.08.10				PIN MATERIAL: CP WIRE		PIN TENSION LOAD: 1.2KG MIN	
DRAWING NO. ZX-20C				REV. A01			



**智信电子塑胶有限公司**  
 ZHI XIN ELECTRONICS PLASTIC CO., LTD.  
 TEL: 0769-86389901-2 FAX: 0769-86389903