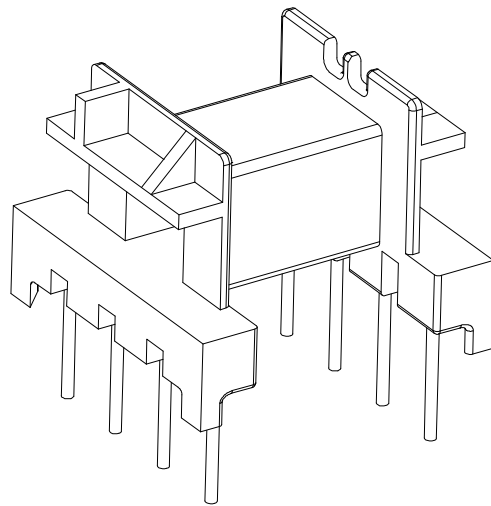
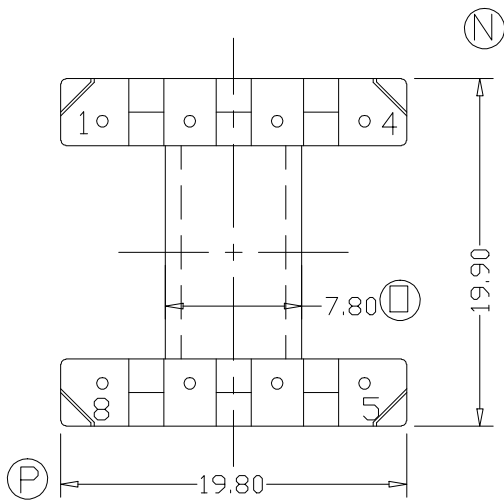
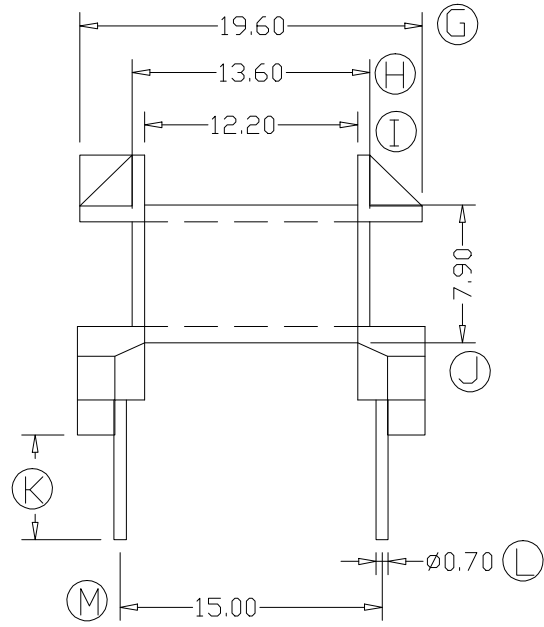
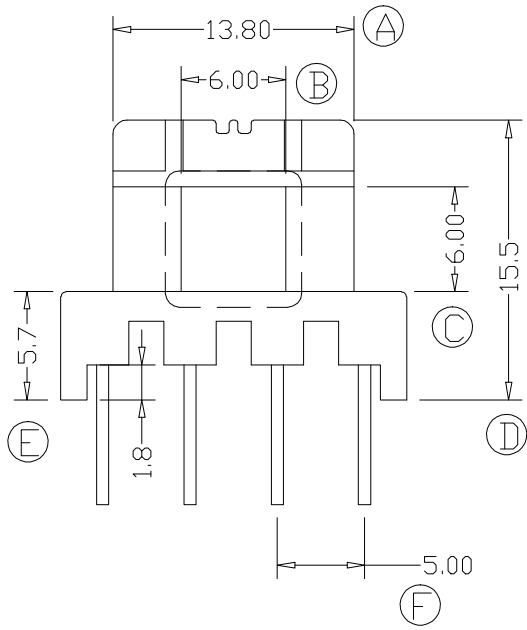


ZX-20G



REV.	REVISIONS REC.		DATE	REV.	REVISIONS REC.		DATE	
1				4				
2				5				
3				6				
DRAWN & DRAFTED BY		LIU WEI QIANG	TOLERANCES		ANGLE: $\pm 1^\circ$			TITLE: EF-20(4+4P)
CHECKED & APPROVED BY		MA BU JIAN	$0 < L \leq 4 \pm 0.1$ $4 < L \leq 16 \pm 0.2$ $16 < L \leq 63 \pm 0.3$	pin pitch ± 0.2	UNIT: MM	BOBBIN MATERIAL: PHENOLIC	UL REC. UL 94V-0	
ZXE 智信电子塑胶有限公司		ZHI XIN ELECTRONICS PLASTIC CO., LTD.		SCALE:	PIN MATERIAL: CP WIRE	PIN TENSION LOAD: 1.2KG MIN		
TEL:0769-86389901-2		FAX:0769-86389903		DATE: 2008.09.13		DRAWING NO. ZX-20G	REV. A01	