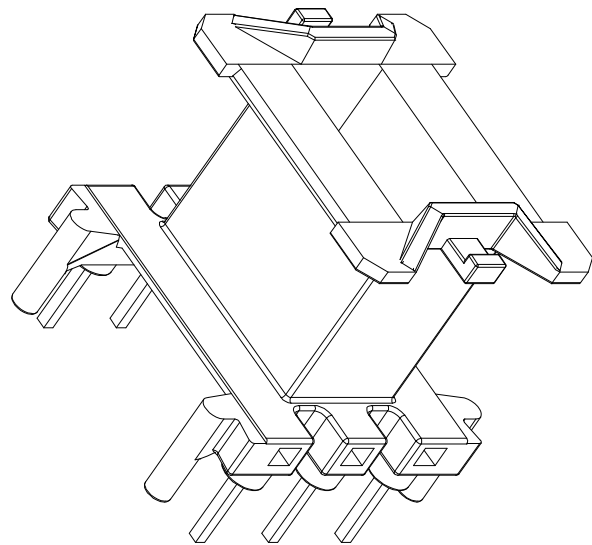
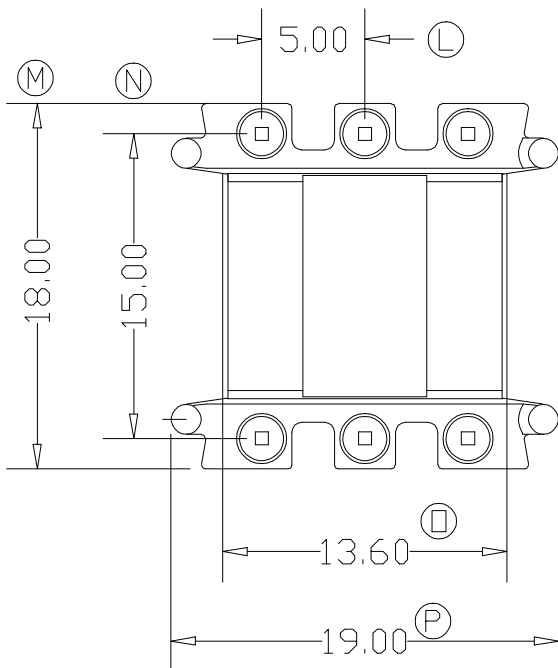
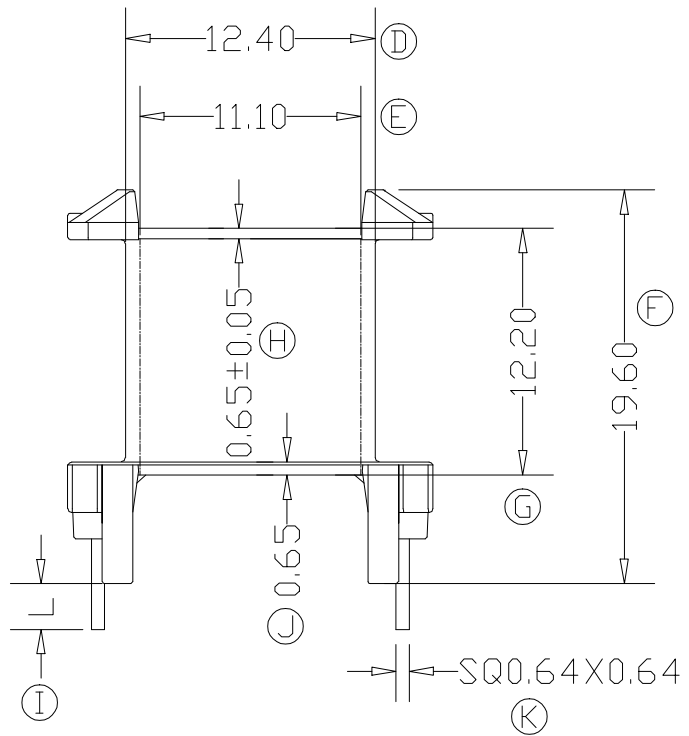
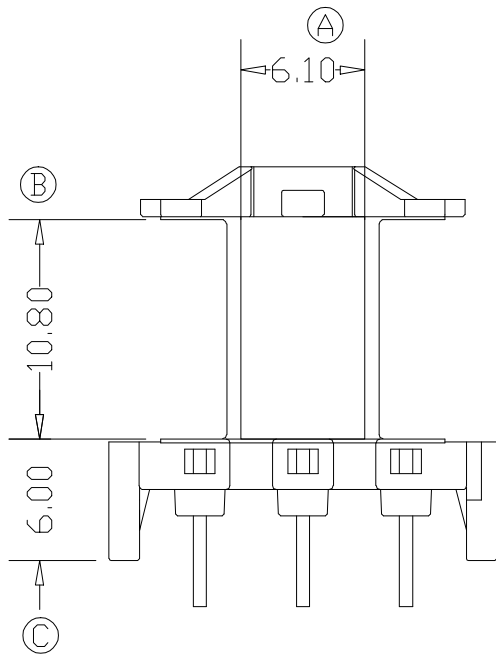


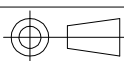
ZX-2011



REV.	REVISIONS REC.		DATE	REV.	REVISIONS REC.		DATE	
1				4				
2				5				
3				6				
DRAWN & DRAFTED BY		LIU WEI QIANG	TOLERANCES		ANGLE: $\pm 1^\circ$			TITLE: EF-20(3+3P)
CHECKED & APPROVED BY		MA BU JIAN	0<L≤4 ±0.1		UNIT: MM	BOBBIN MATERIAL: FR530	UL REC. UL 94V-0	
			4<L≤16 ±0.2		SCALE:	PIN MATERIAL: CP WIRE	PIN TENSION LOAD: 1.0KG MIN	
			16<L≤63 ±0.3		DATE: 2009.09.16	DRAWING NO. ZX-2011	REV. A01	



智信电子塑胶有限公司
 ZHI XIN ELECTRONICS PLASTIC CO., LTD.
 TEL:0769-86389901-2 FAX:0769-86389903



DATE: 2009.09.16

DRAWING NO. ZX-2011

REV. A01