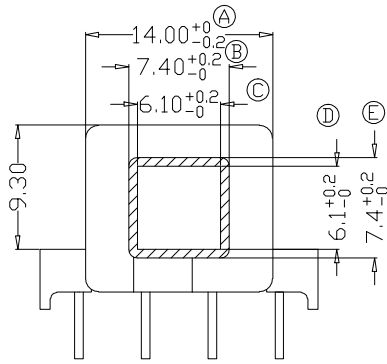
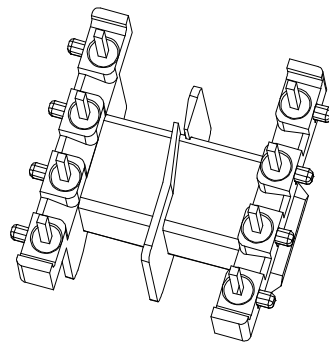
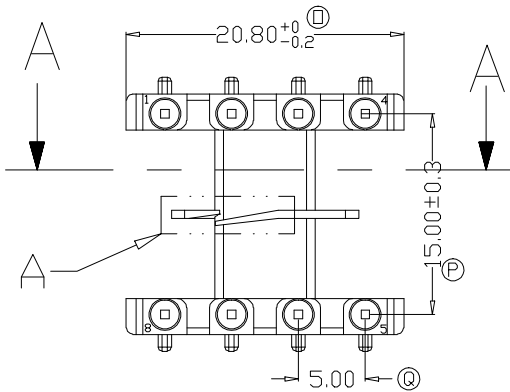
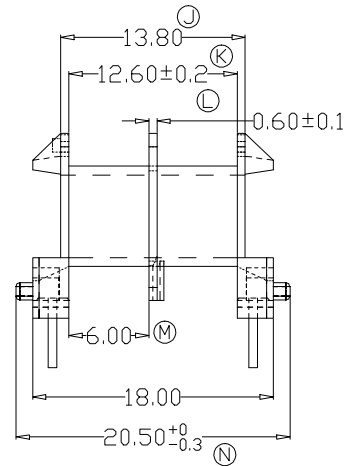
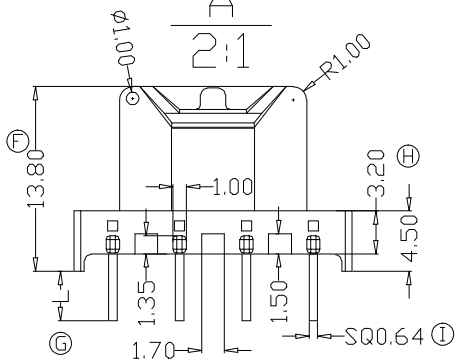
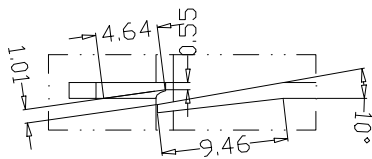
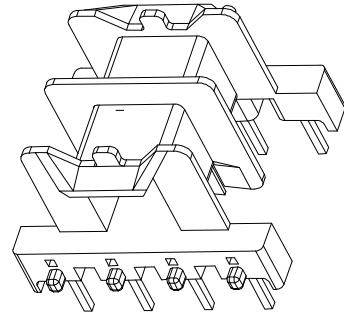


ZX-20L2



A-A

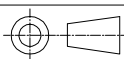


REV.	REVISIONS	REC.	DATE	REV.	REVISIONS	REC.	DATE
1				4			
2				5			
3				6			
DRAWN & DRAFTED BY		LIU WEI QIANG		TOLERANCES		ANGLE: $\pm 1^\circ$	
CHECKED & APPROVED BY		MA BU JIAN		pin pitch		TITLE: EF-20(4+4P)2S	
		0 < L ≤ 4 ±0.1		UNIT: MM		BOBBIN MATERIAL: FR530	
		4 < L ≤ 16 ±0.2		SCALE:		UL REC. UL 94V-0	
		16 < L ≤ 63 ±0.3		DATE: 2015.11.24		PIN MATERIAL: CP WIRE	
				DRAWING NO. ZX-20L2		PIN TENSION LOAD: 1.2KG MIN	
				REV. A01			



智信电子塑胶有限公司

ZHI XIN ELECTRONICS PLASTIC CO., LTD.
TEL:0769-86389901-2 FAX:0769-86389903



DATE: 2015.11.24

DRAWING NO. ZX-20L2

REV. A01