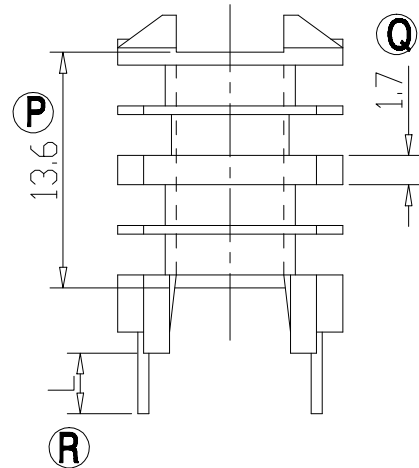
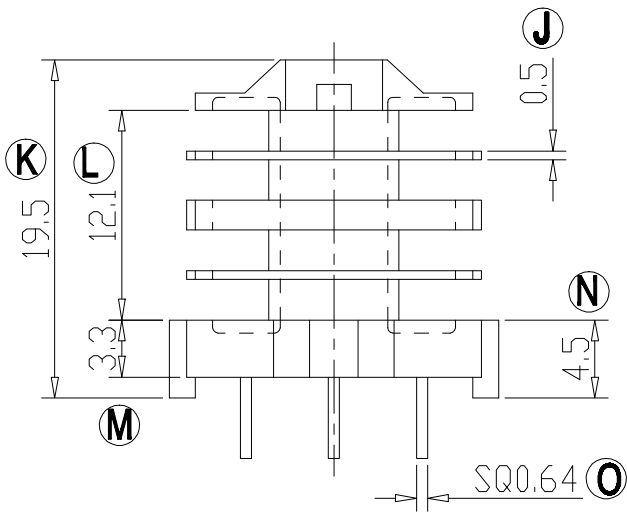
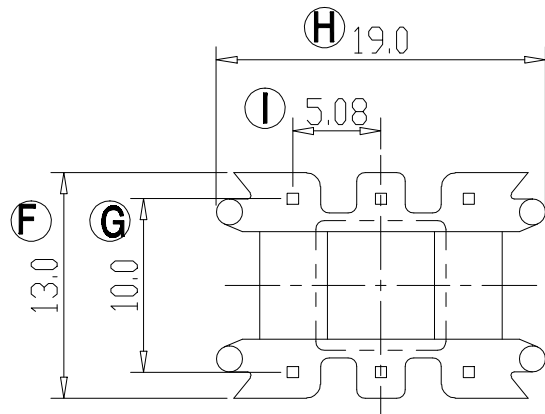
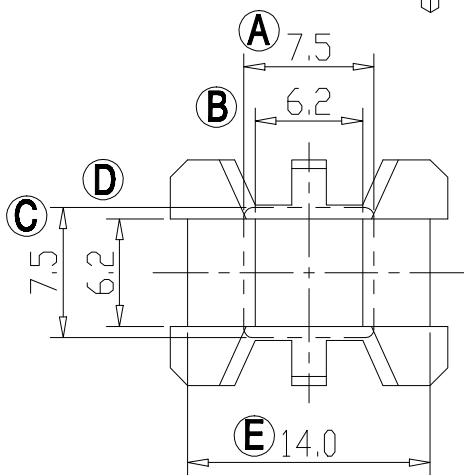
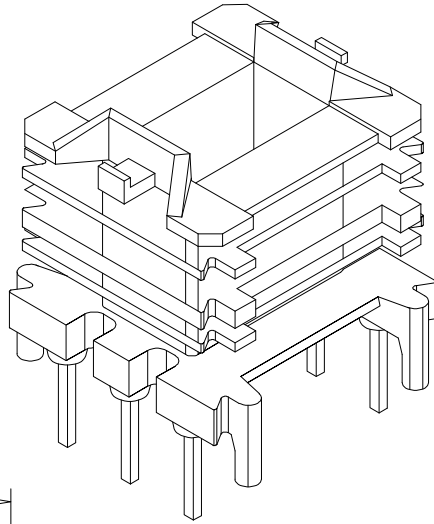


ZX-20P



REV.	REVISIONS		REC.	DATE	REV.	REVISIONS		REC.	DATE
1					4				
2					5				
3					6				
DRAWN & DRAFTED BY		LIU WEI QIANG		TOLERANCES		ANGLE:		TITLE:	
CHECKED & APPROVED BY		MA BU JIAN		$0 < L \leq 4 \pm 0.1$ $4 < L \leq 16 \pm 0.2$ $16 < L \leq 63 \pm 0.3$		$\pm 1^\circ$ UNIT: MM		EF-20(3+3P)4S BOBBIN MATERIAL: FR530 UL REC. UL 94V-0	
ZXE		智信电子塑胶有限公司		SCALE:		PIN MATERIAL:		PIN TENSION LOAD:	
ZHI XIN ELECTRONICS PLASTIC CO., LTD.				DATE:		DRAWING NO.		REV.	
TEL:0769-86389901-2		FAX:0769-86389903		2006.03.09		ZX-20P		A01	