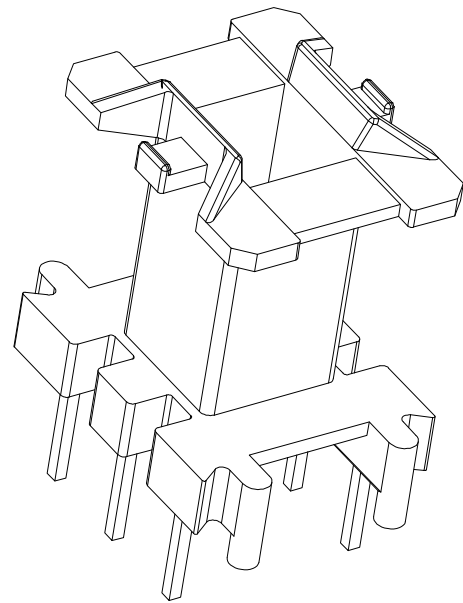
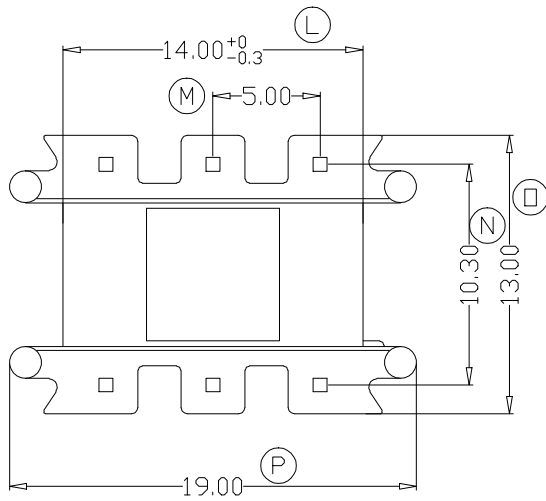
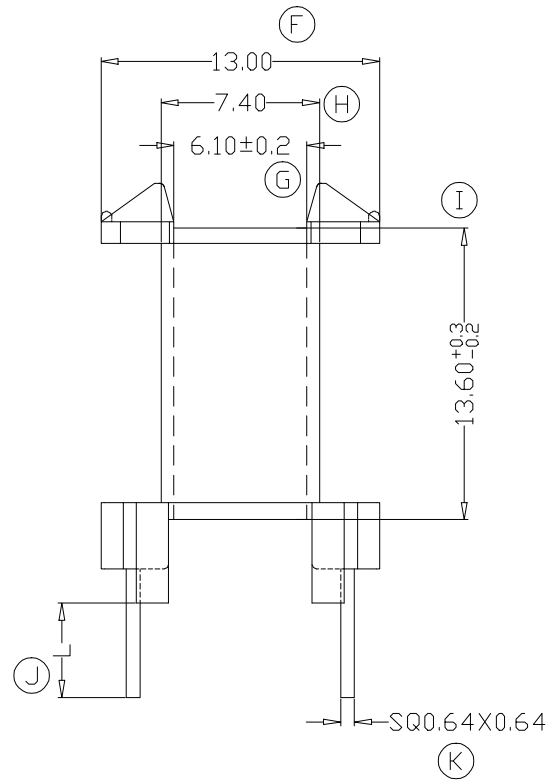
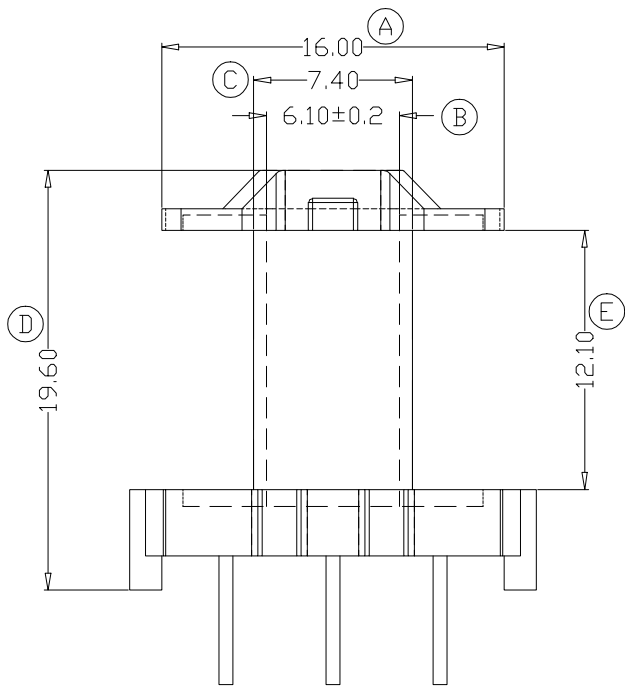


ZX-20P2



REV.	REVISIONS REC.		DATE	REV.	REVISIONS REC.		DATE
1				4			
2				5			
3				6			
DRAWN & DRAFTED BY	LIU WEI QIANG	TOLERANCES		ANGLE:	TITLE: EF-20(3+3P)		
CHECKED & APPROVED BY	MA BU JIAN	0<L≤ 4 ±0.1	pin pitch	UNIT:	BOBBIN MATERIAL:	FR530	UL REC. UL 94V-0
		4<L≤ 16 ±0.2	±0.2	SCALE:	PIN MATERIAL:	CP WIRE	PIN TENSION LOAD: 1.0kg MIN.
		16<L≤ 63 ±0.3			DATE:	2013.11.20	DRAWING NO. ZX-20P2
智信电子塑胶有限公司 ZHI XIN ELECTRONICS PLASTIC CO., LTD. TEL:0769-86389901-2 FAX:0769-86389903				DATE: 2013.11.20		REV. A01	