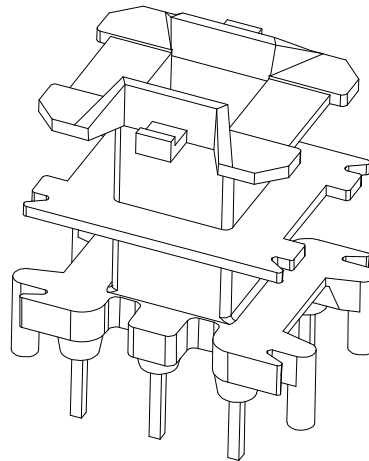
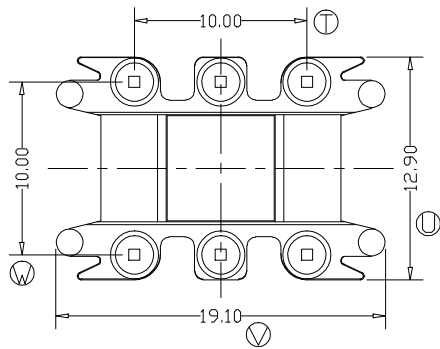
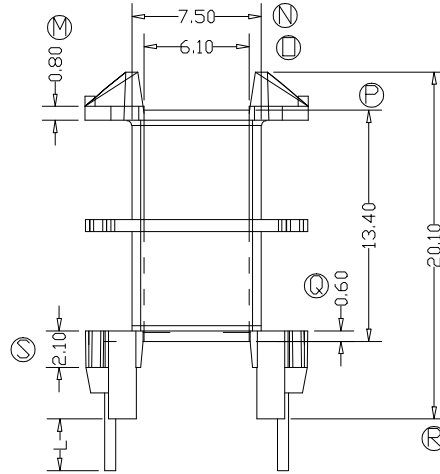
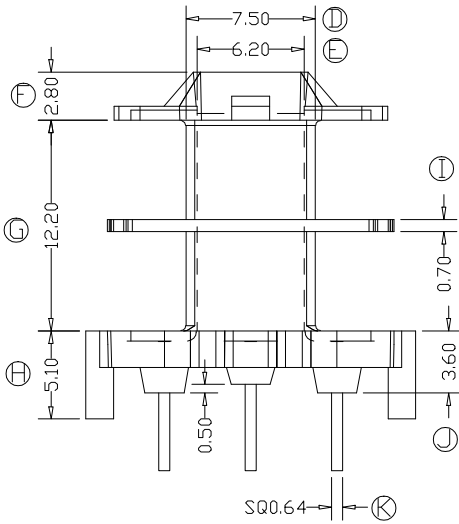
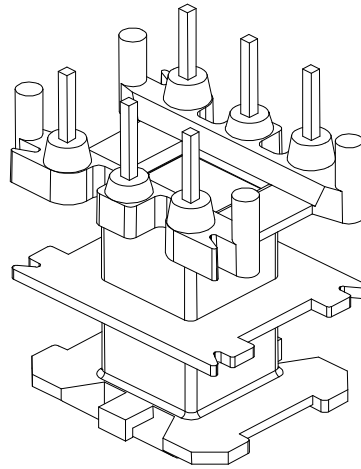
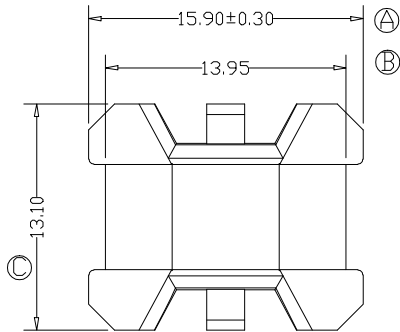


ZX-20P3



REV.	REVISIONS REC.	DATE	REV.	REVISIONS REC.	DATE
1			4		
2			5		
3			6		
DRAWN & DRAFTED	LIU WEI QIANG	TOLERANCES		ANGLE:	TITLE:
CHECKED & APPROVED BY	MA BU JIAN	0<L<4 ±0.1	pin pitch	±1°	EF-20 (3+3P) 2S
		4<L<16 ±0.2		UNIT:	BOBBIN MATERIAL:
		16<L<63 ±0.3	±0.2	MM	FR530
				SCALE:	UL REC. UL 94V-0
					PIN MATERIAL: CP WIRE
					PIN TENSION LOAD: 1.0KG MIN
ZXE 智信电子塑胶有限公司				DATE:	DRAWING NO.
ZHI XIN ELECTRONICS PLASTIC CO., LTD.				2011.09.08	ZX-20P3
TEL:0769-86389901-2 FAX:0769-86389903					REV.
					A01