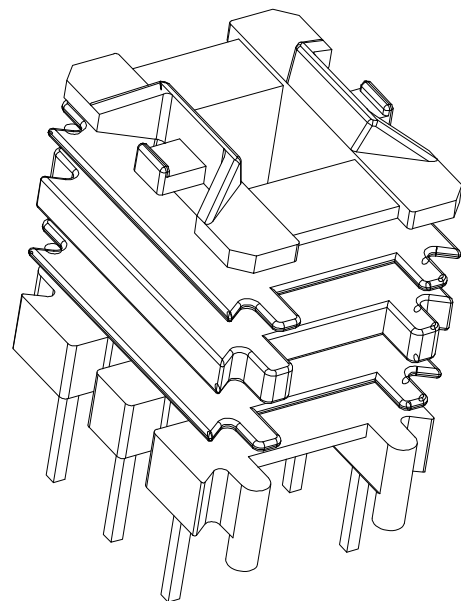
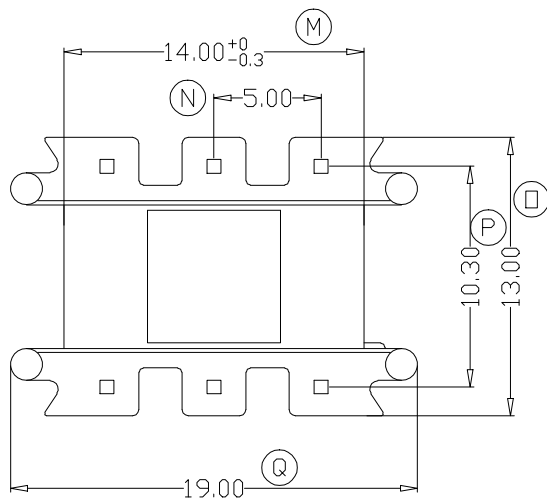
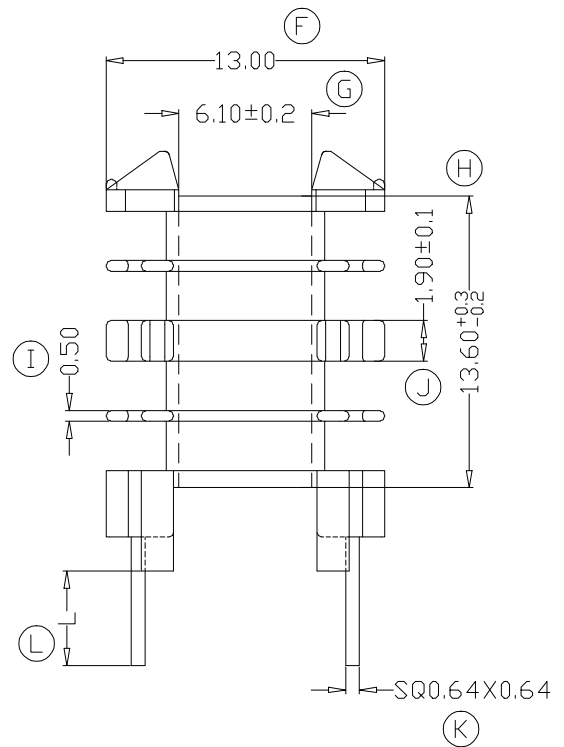
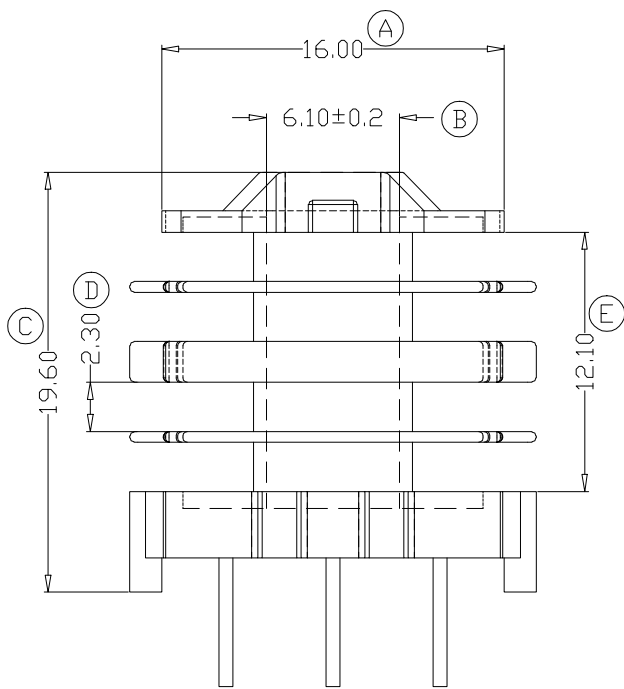


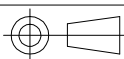
ZX-20P4



REV.	REVISIONS REC.	DATE	REV.	REVISIONS REC.	DATE
1	(M) 此尺寸已之前的14.0 ⁺⁰ _{-0.3} 变更为14.0 ⁺⁰ _{-0.3}		4		
2			5		
3			6		
DRAWN & DRAFTED BY LIU WEI QIANG		TOLERANCES		ANGLE: ±1°	
CHECKED & APPROVED BY MA BU JIAN		0 < L ≤ 4 ±0.1 4 < L ≤ 16 ±0.2 16 < L ≤ 63 ±0.3		UNIT: MM	
		pin pitch ±0.2		TITLE: EF-20(3+3P)4S	
		SCALE:		BOBBIN MATERIAL: FR530	
		DATE: 2013.11.20		UL REC. UL 94V-0	
		DRAWING NO. ZX-20P4		PIN TENSION LOAD: 1.0kg MIN.	
		REV. A01			



智信电子塑胶有限公司
ZHI XIN ELECTRONICS PLASTIC CO., LTD.
 TEL:0769-86389901-2 FAX:0769-86389903



DATE: 2013.11.20

DRAWING NO. ZX-20P4

REV. A01