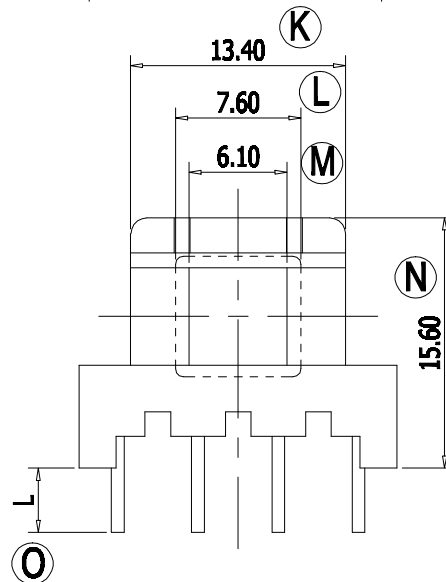
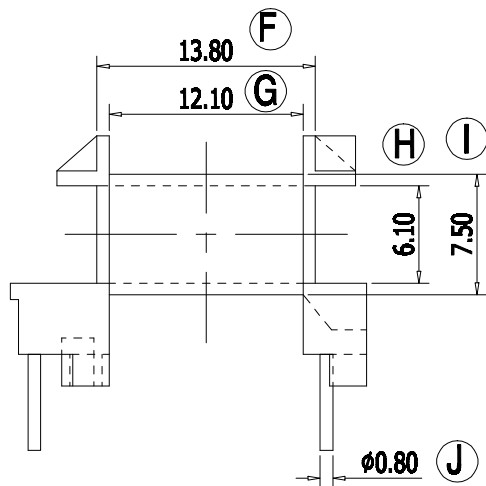
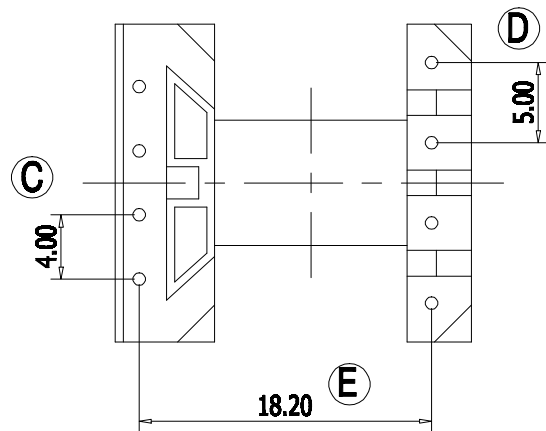
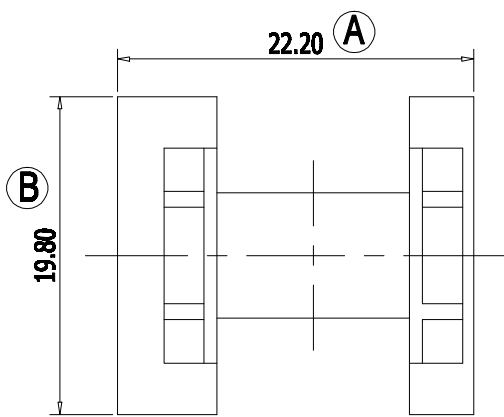
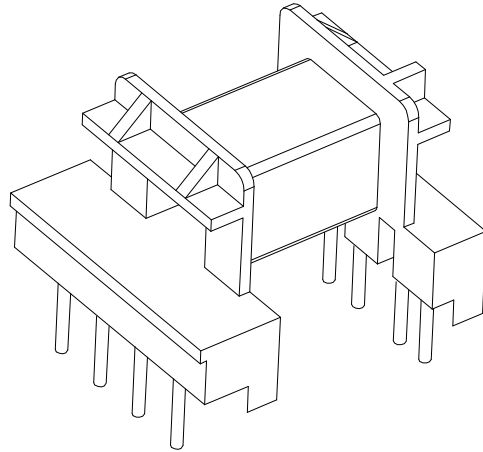


ZX-20R



REV.	REVISIONS	REC.	DATE	REV.	REVISIONS	REC.	DATE
1				4			
2				5			
3				6			
DRAWN & DRAFTED BY		LIU WEI QIANG		TOLERANCES		ANGLE: $\pm 1^\circ$	
CHECKED & APPROVED BY		MA BU JIAN		$0 < L \leq 4 \pm 0.1$ $4 < L \leq 16 \pm 0.2$ $16 < L \leq 63 \pm 0.3$		pin pitch ± 0.2	
TITLE:		EF-20(4+4P)					
BOBBIN MATERIAL:		PHENOLIC				UL REC. UL 94V-0	
PIN MATERIAL:		CP WIRE					
PIN TENSION LOAD:		1.2KG MIN					
SCALE:		DATE: 2005.08.13		DRAWING NO. ZX-20R		REV. A01	



智信电子塑胶有限公司

ZHI XIN ELECTRONICS PLASTIC CO., LTD.
 TEL:0769-86389901-2 FAX:0769-86389903

