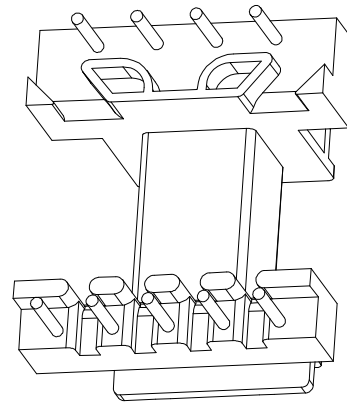
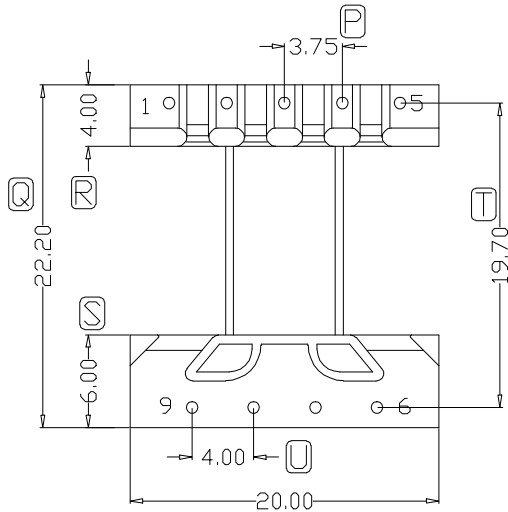
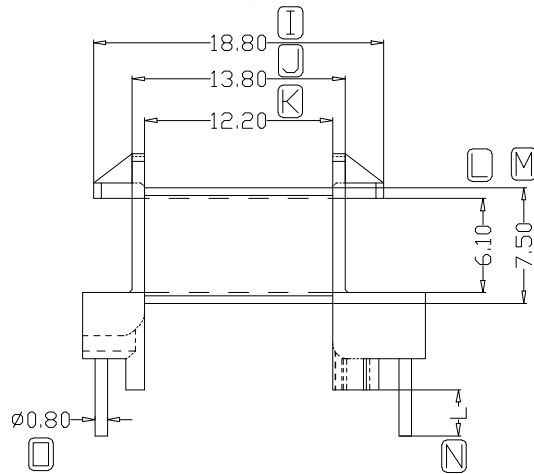
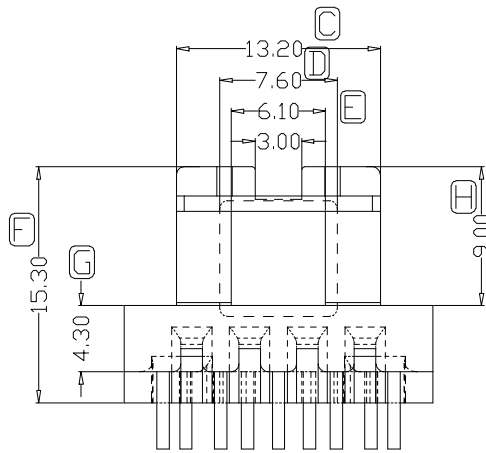
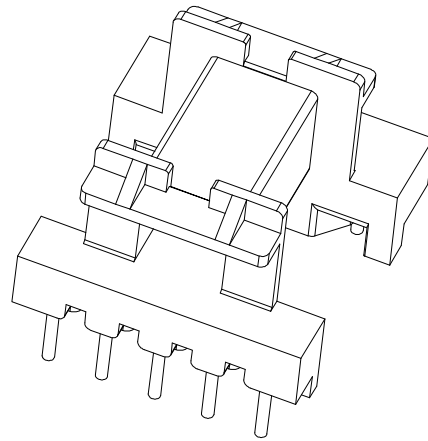
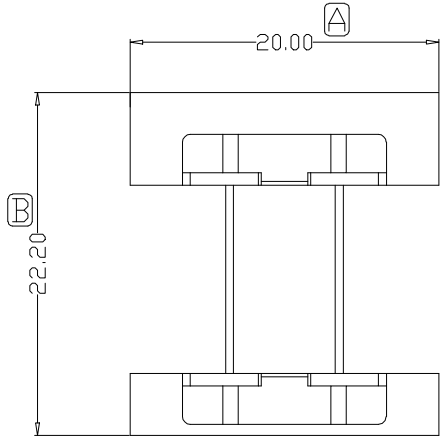


ZX-20R1



REV.	REVISIONS REC.		DATE	REV.	REVISIONS REC.		DATE
1				4			
2				5			
3				6			
DRAWN & DRAFTED BY		LIU WEI QIANG	TOLERANCES		ANGLE:	TITLE: EF-20(5+4P)	
CHECKED & APPROVED BY		MA BU JIAN	$0 < L \leq 4 \pm 0.1$ $4 < L \leq 16 \pm 0.2$ $16 < L \leq 63 \pm 0.3$		UNIT:	BOBBIN MATERIAL:	UL REC.
			pin pitch ± 0.2		MM	PHENOLIC	UL 94V-0
			SCALE:		PIN MATERIAL:	CP WIRE	PIN TENSION LOAD:
					DATE:	DRAWING NO.	REV.
					2016.08.22	ZX-20R1	A01



智信电子塑胶有限公司
ZHI XIN ELECTRONICS PLASTIC CO., LTD.
 TEL:0769-86389901-2 FAX:0769-86389903