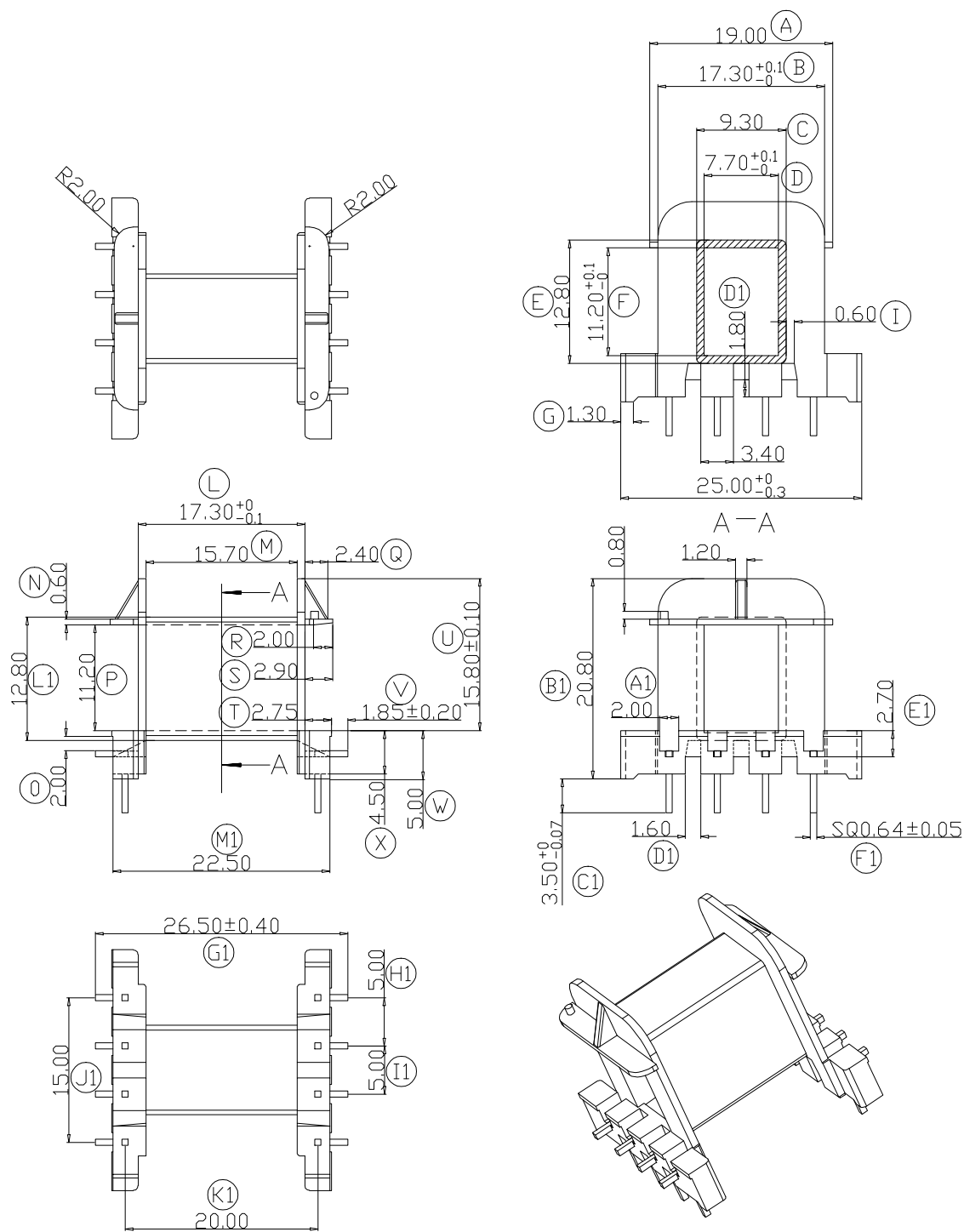


ZX-25AE



REV.	REVISIONS	REC.	DATE	REV.	REVISIONS	REC.	DATE
1				4			
2				5			
3				6			
DRAWN & DRAFTED BY		LIU WEI QIANG		TOLERANCES		ANGLE: ±1°	
CHECKED & APPROVED BY		LI JUN		pin pitch ±0.2		TITLE: EF-25(4+4P)	
		0 < L ≤ 4 ±0.1		UNIT: MM		BOBBIN MATERIAL: PHENOLIC	
		4 < L ≤ 16 ±0.2		SCALE:		UL REC. UL 94V-0	
		16 < L ≤ 63 ±0.3		DATE: 2011.07.02		PIN TENSION LOAD: 1.2KG MIN	
ZXE		智信电子塑胶有限公司		DRAWING NO. ZX-25AE		REV. A01	
ZHI XIN ELECTRONICS PLASTIC CO., LTD.		TEL:0769-86389901-2 FAX:0769-86389903					