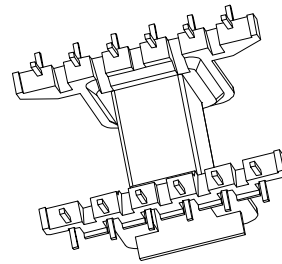
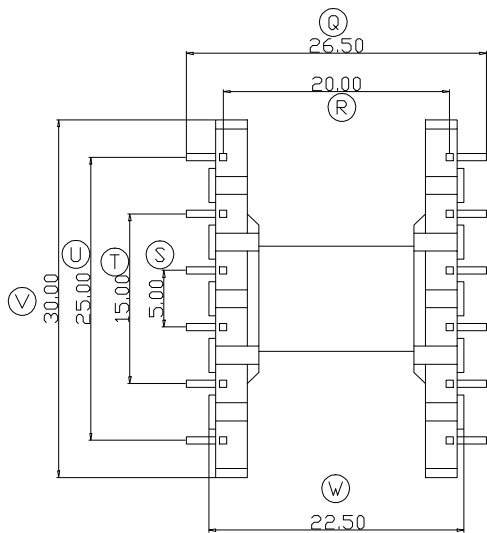
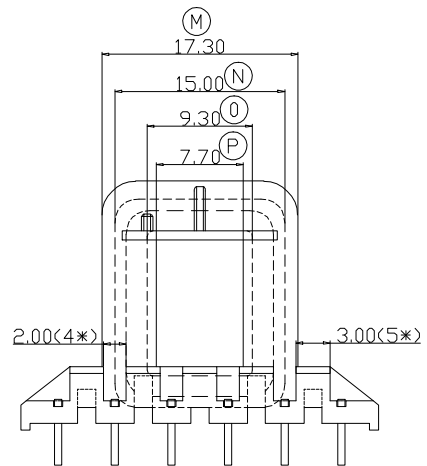
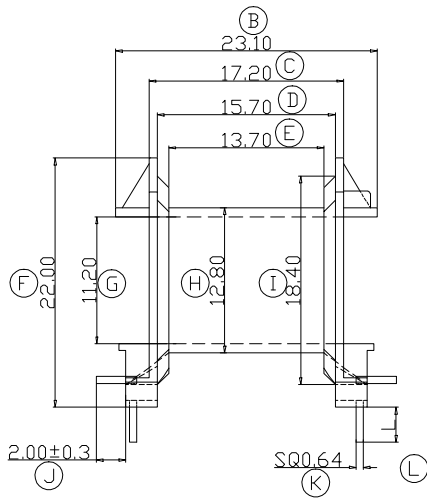
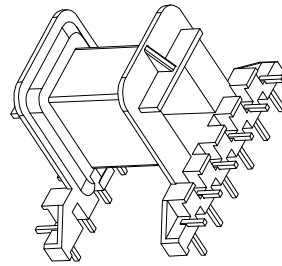
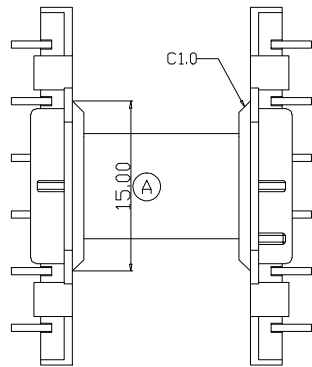


# ZX-25AF



REV.	REVISIONS REC.		DATE	REV.	REVISIONS REC.		DATE		
1				4					
2				5					
3				6					
DRAWN & DRAFTED BY		LIU WEI QIANG		TOLERANCES		ANGLE: $\pm 1^\circ$		TITLE: <b>EF-25(6+6P)</b>	
CHECKED & APPROVED BY		MA BU JIAN		$0 < L \leq 4 \quad \pm 0.1$ $4 < L \leq 16 \quad \pm 0.2$ $16 < L \leq 63 \quad \pm 0.3$		pin pitch $\pm 0.2$		UNIT: MM	
				SCALE:		PIN MATERIAL: CP WIRE		BOBBIN MATERIAL: PLASTIC	
						DATE: 2008.08.12		UL REC. UL 94V-0	
						DRAWING NO. ZX-25AF		PIN TENSION LOAD: 1.2KG MIN	
								REV. A01	



**智信电子塑胶有限公司**  
**ZHI XIN ELECTRONICS PLASTIC CO., LTD.**  
 TEL:0769-86389901-2 FAX:0769-86389903

